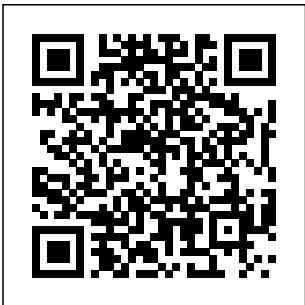


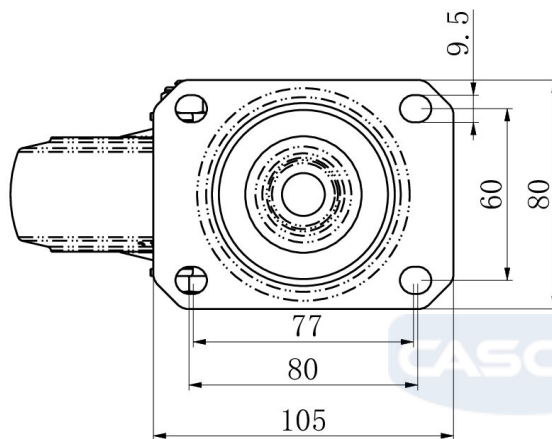
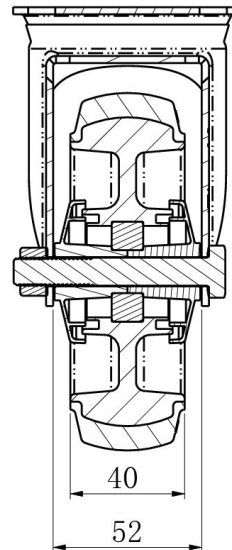
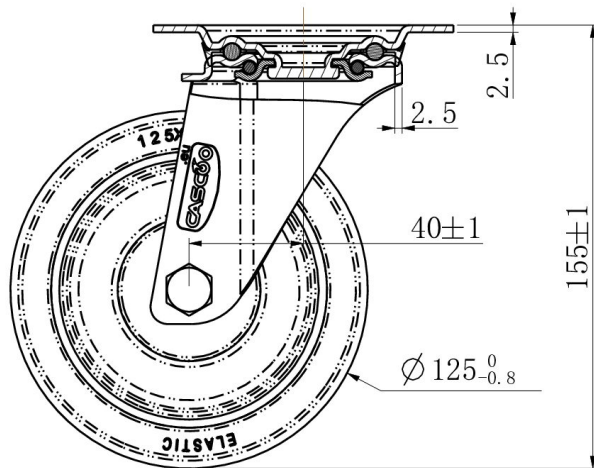
CASTOR SBP35WC125P2D2B32A



Product SKU	SBP35WC125P2D2B32A
Standard Compliance	DIN EN 12532
Series	P2D2 (antistatic)
Fastening	Plate fastening
Material of the Wheel	polypropylene (PP) wheel center
Tread	thermoplastic rubber tread
Temperature range	-20°C to +60°C
Wheel Diameter	125mm
Load Capacity	120kg
Total Height	155mm
Width of Tread	40mm
wheel hub Width	50mm
Offset	40mm
Dimension of Plate	105x80mm
Hole Spacing of the Plate	80/77x60mm
Wheel Bolt Size	M10
Bushing Diameter	10mm
Weight	0.83kg
Wheel Bearing	ball bearing
Special Features	antistatic



CASTOR SBP35WC125P2D2B32A



TD_SBP35WC125P2D2B32A		
load capacity	120KG	