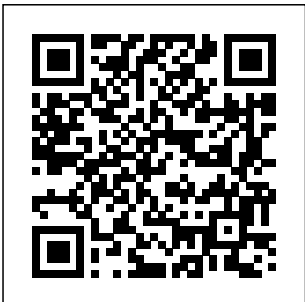


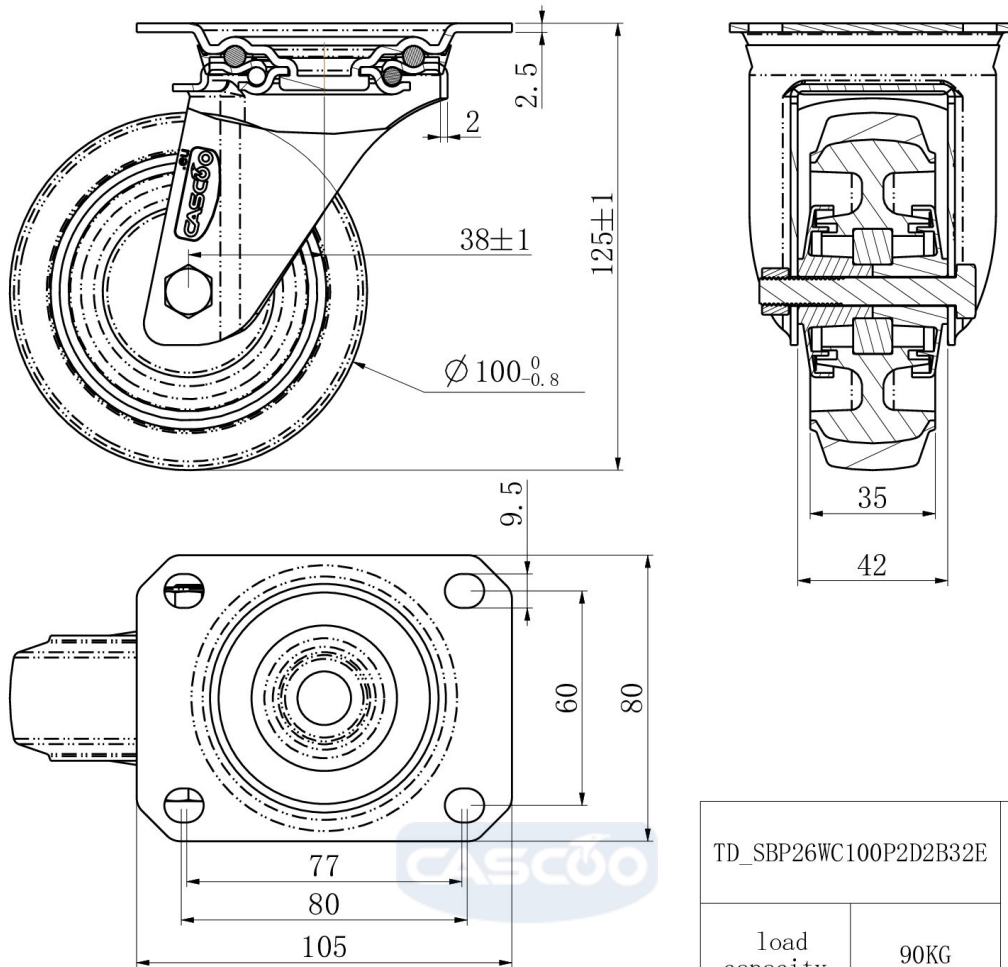
CASTOR SBP26WC100P2D2B32E



Product SKU	SBP26WC100P2D2B32E
Standard Compliance	DIN EN 12532
Series	P2D2 (ESD)
Fastening	Plate fastening
Material of the Wheel	polypropylene (PP) wheel center
Tread	thermoplastic rubber tread
Temperature range	-20°C to +60°C
Wheel Diameter	100mm
Load Capacity	90kg
Total Height	125mm
Width of Tread	35mm
wheel hub Width	40mm
Offset	40mm
Dimension of Plate	105x80mm
Hole Spacing of the Plate	80/77x60mm
Wheel Bolt Size	M8
Bushing Diameter	8mm
Weight	0.59kg
Wheel Bearing	ball bearing
Special Features	electrostatic (ESD)



CASTOR SBP26WC100P2D2B32E



TD_SBP26WC100P2D2B32E		
load capacity	90KG	