

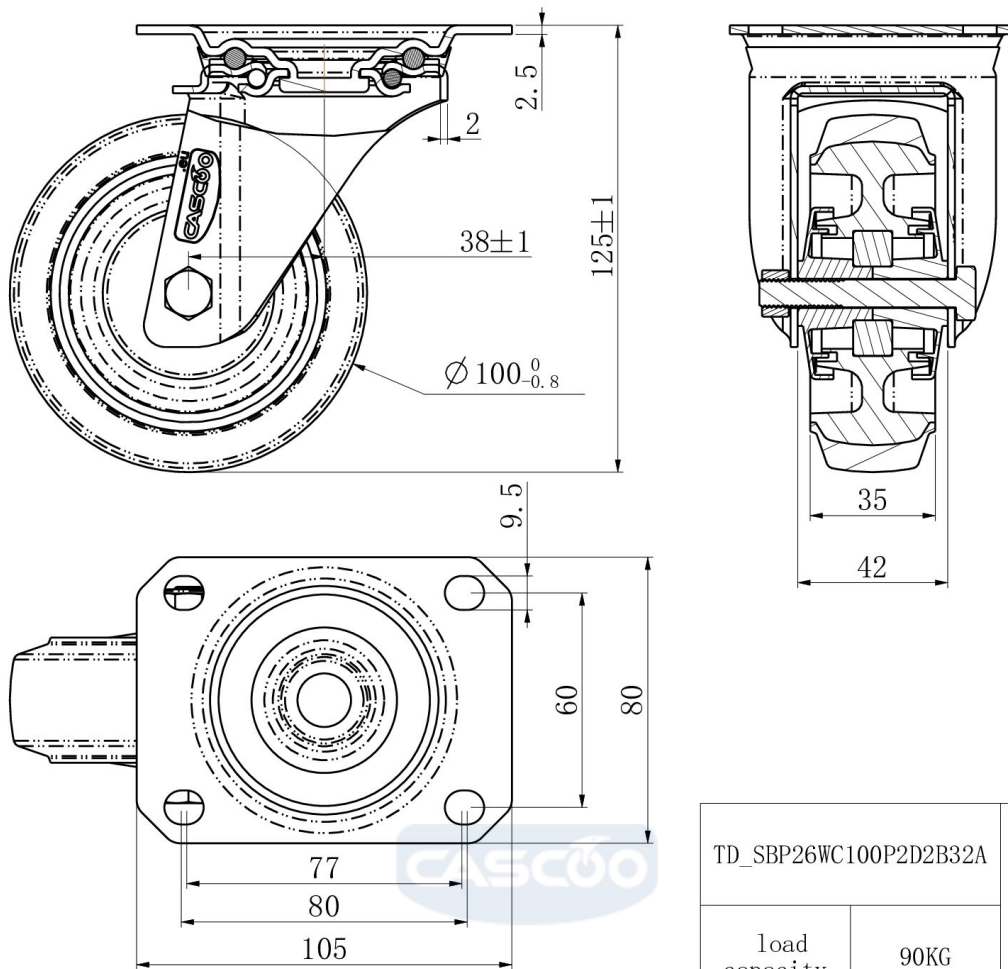
## CASTOR SBP26WC100P2D2B32A



<b>Product SKU</b>	SBP26WC100P2D2B32A
<b>Standard Compliance</b>	DIN EN 12532
<b>Series</b>	P2D2 (antistatic)
<b>Fastening</b>	Plate fastening
<b>Material of the Wheel</b>	polypropylene (PP) wheel center
<b>Tread</b>	thermoplastic rubber tread
<b>Temperature range</b>	-20°C to +60°C
<b>Wheel Diameter</b>	100mm
<b>Load Capacity</b>	90kg
<b>Total Height</b>	125mm
<b>Width of Tread</b>	35mm
<b>wheel hub Width</b>	40mm
<b>Offset</b>	40mm
<b>Dimension of Plate</b>	105x80mm
<b>Hole Spacing of the Plate</b>	80/77x60mm
<b>Wheel Bolt Size</b>	M8
<b>Bushing Diameter</b>	8mm
<b>Weight</b>	0.59kg
<b>Wheel Bearing</b>	ball bearing
<b>Special Features</b>	antistatic



# CASTOR SBP26WC100P2D2B32A



TD_SBP26WC100P2D2B32A		
load capacity	90KG	