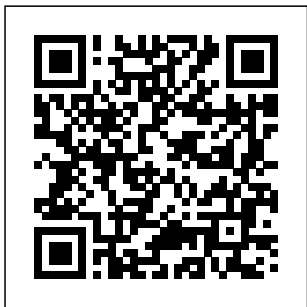


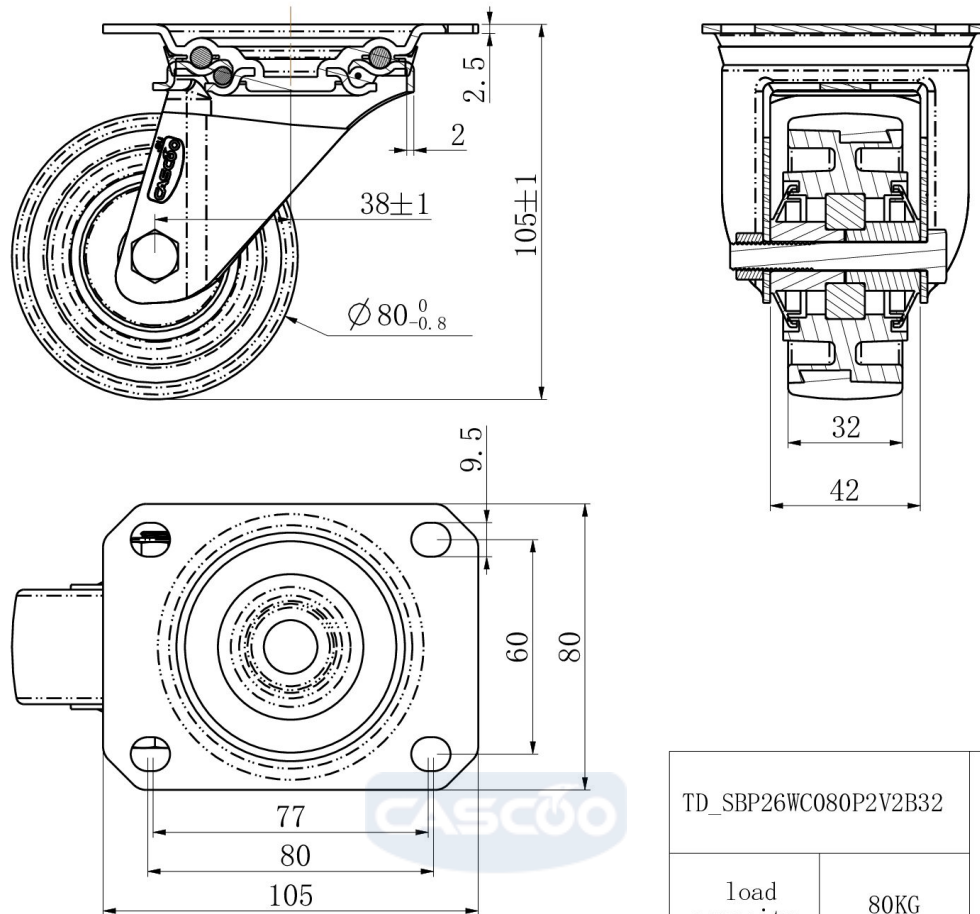
CASTOR SBP26WC080P2V2B32




Product SKU	SBP26WC080P2V2B32
Standard Compliance	DIN EN 12532
Series	P2V2
Fastening	Plate fastening
Brake and Direction	swivel without brake
Material of the Wheel	polypropylene (PP) wheel center
Tread	thermoplastic rubber tread
Temperature range	-20°C to +60°C
Wheel Diameter	80mm
Load Capacity	80kg
Total Height	105mm
Width of Tread	32mm
wheel hub Width	40mm
Offset	40mm
Dimension of Plate	105x80mm
Hole Spacing of the Plate	80/77x60mm
Wheel Bolt Size	M8
Bushing Diameter	8mm
Weight	0.53kg
Wheel Bearing	ball bearing
Rubber Shore	85° Shore A



CASTOR SBP26WC080P2V2B32



TD_SBP26WC080P2V2B32		
load capacity	80KG	