

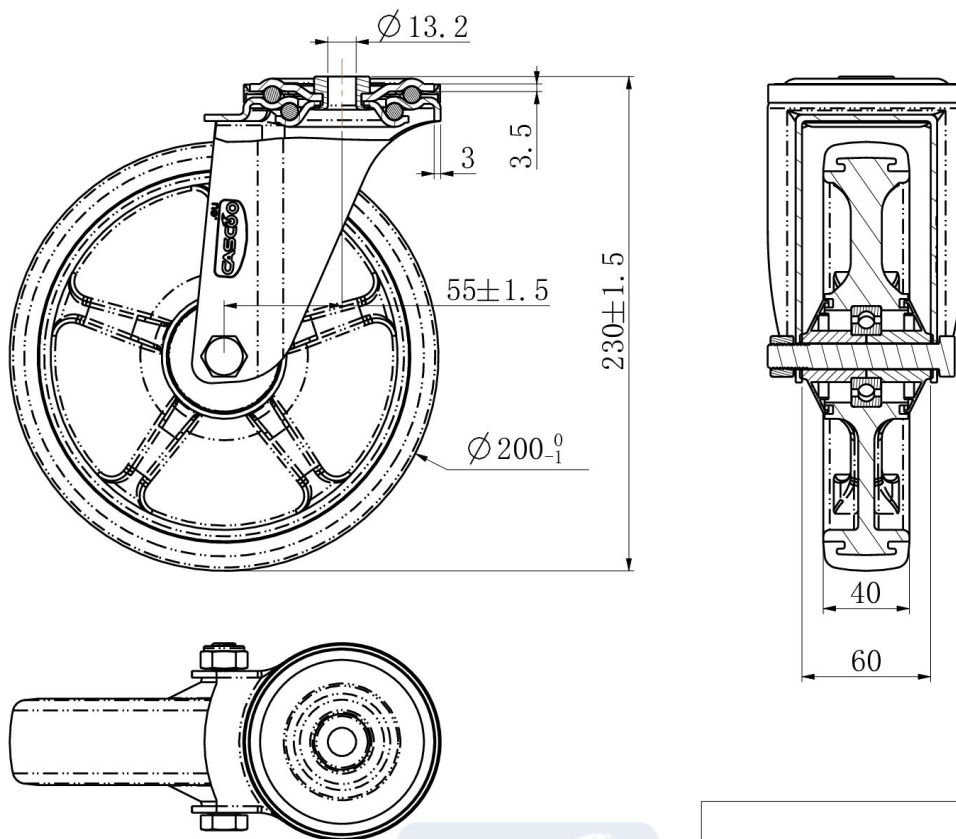
CASTOR HPH98WC200P2G2B32E




Product SKU	HPH98WC200P2G2B32E
Standard Compliance	DIN EN 12532
Series	P2G2 (ESD)
Fastening	Bolt fastening
Brake and Direction	swivel without brake
Material of the Wheel	polypropylene (PP) wheel center
Tread	thermoplastic rubber tread
Temperature range	-20°C to +60°C
Wheel Diameter	200mm
Load Capacity	175kg
Total Height	228mm
Width of Tread	40mm
wheel hub Width	59mm
Offset	55mm
Fastening Bolt Hole Diameter	13mm
Wheel Bolt Size	M12
Bushing Diameter	12mm
Weight	1.67kg
Wheel Bearing	ball bearing
Special Features	electrostatic (ESD)



CASTOR HPH98WC200P2G2B32E



TD_HPH98WC200P2G2B32E		
load capacity	175KG	