

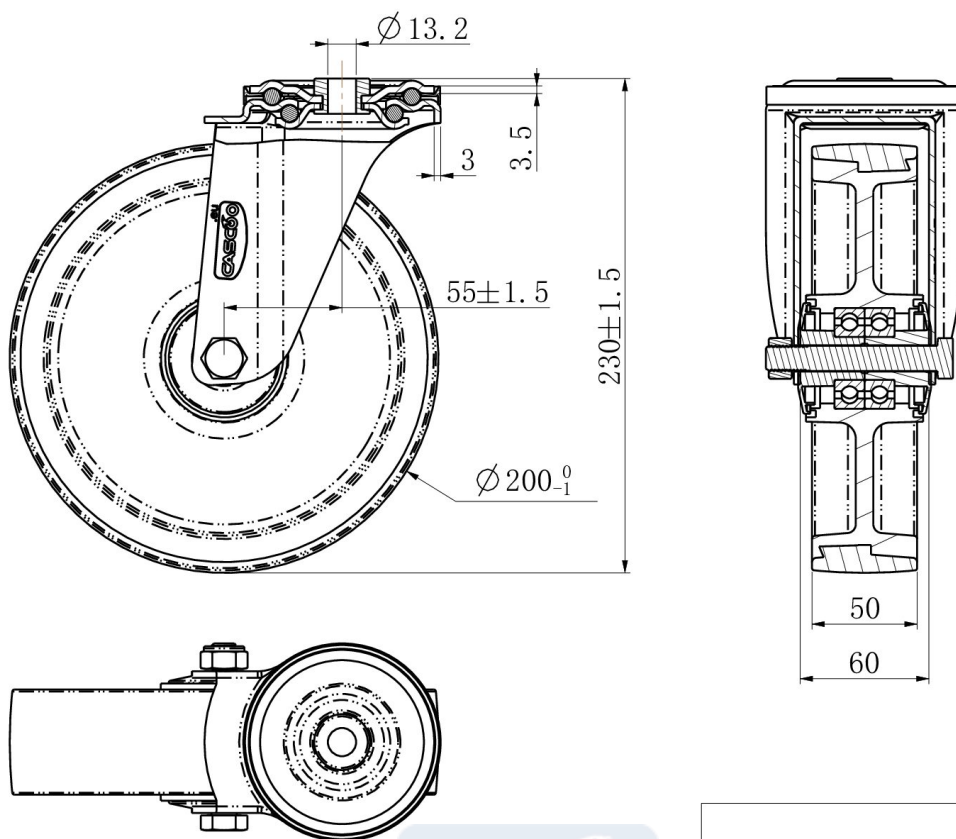
CASTOR HPH98WC200N2U6D32



Product SKU	HPH98WC200N2U6D32
Standard Compliance	DIN EN 12532
Series	N2U6
Fastening	Bolt fastening
Material of the Wheel	polyamide (PA) wheel center
Tread	polyurethane (PU) tread
Temperature range	-40°C to +80°C
Wheel Diameter	200mm
Load Capacity	250kg
Total Height	228mm
Width of Tread	48mm
wheel hub Width	59mm
Offset	55mm
Fastening Bolt Hole Diameter	13mm
Wheel Bolt Size	M12
Bushing Diameter	12mm
Weight	1.94kg
Wheel Bearing	double ball bearing
Rubber Shore	95° Shore A



CASTOR HPH98WC200N2U6D32



TD_HPH98WC200N2U6D32		
load capacity	250KG	