

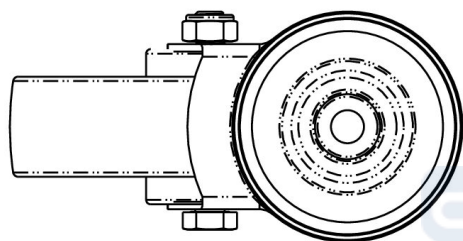
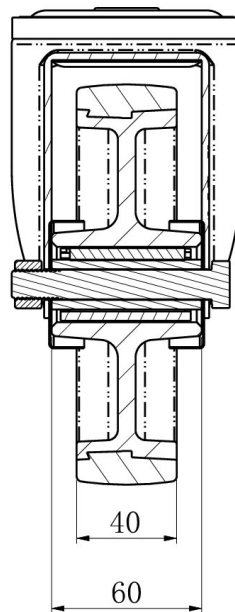
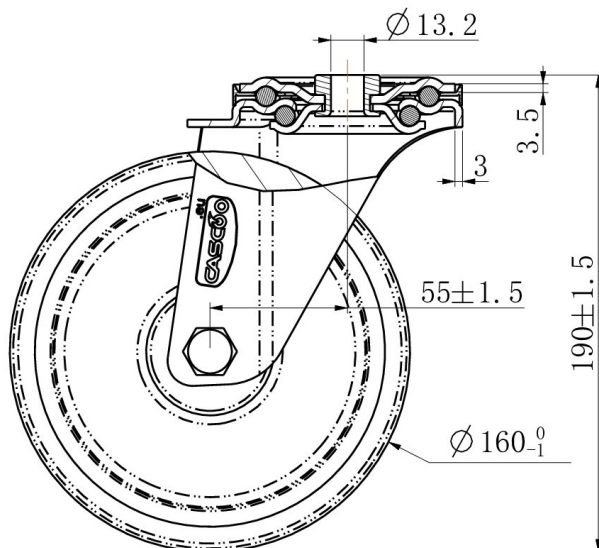
CASTOR HPH98WC160P2V2R1W




Product SKU	HPH98WC160P2V2R1W
Standard Compliance	DIN EN 12532
Series	P2V2
Fastening	Bolt fastening
Material of the Wheel	polypropylene (PP) wheel center
Tread	thermoplastic rubber tread
Temperature range	-20°C to +60°C
Wheel Diameter	160mm
Load Capacity	200kg
Total Height	189mm
Width of Tread	40mm
wheel hub Width	59mm
Offset	55mm
Fastening Bolt Hole Diameter	13mm
Wheel Bolt Size	M12
Bushing Diameter	20mm
Weight	1.48kg
Wheel Bearing	roller bearing
Rubber Shore	85° Shore A




CASTOR HPH98WC160P2V2R1W



TD_HPH98WC160P2V2R1W		
load capacity	200KG	