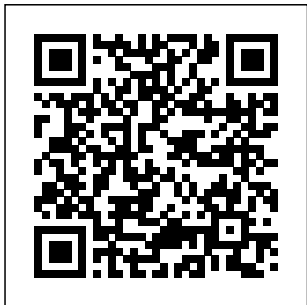


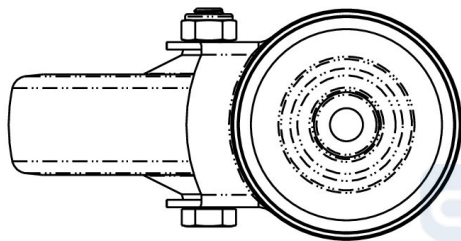
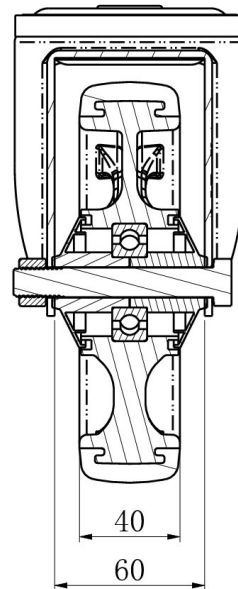
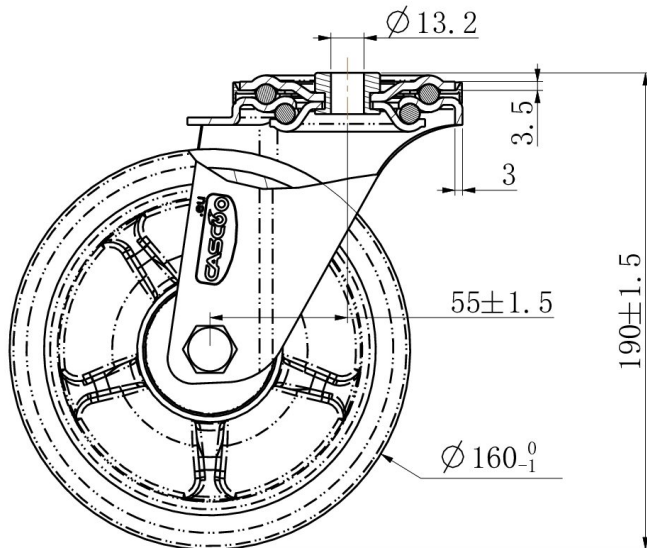
CASTOR HPH98WC160P2G2B32



Product SKU	HPH98WC160P2G2B32
Standard Compliance	DIN EN 12532
Series	P2G2
Fastening	Bolt fastening
Brake and Direction	swivel without brake
Material of the Wheel	polypropylene (PP) wheel center
Tread	thermoplastic rubber tread
Temperature range	-20°C to +60°C
Wheel Diameter	160mm
Load Capacity	200kg
Total Height	189mm
Width of Tread	40mm
wheel hub Width	59mm
Offset	55mm
Fastening Bolt Hole Diameter	13mm
Wheel Bolt Size	M12
Bushing Diameter	12mm
Weight	1.41kg
Wheel Bearing	ball bearing
Rubber Shore	70° Shore A



CASTOR HPH98WC160P2G2B32



TD_HPH98WC160P2G2B32

load capacity

200KG

