

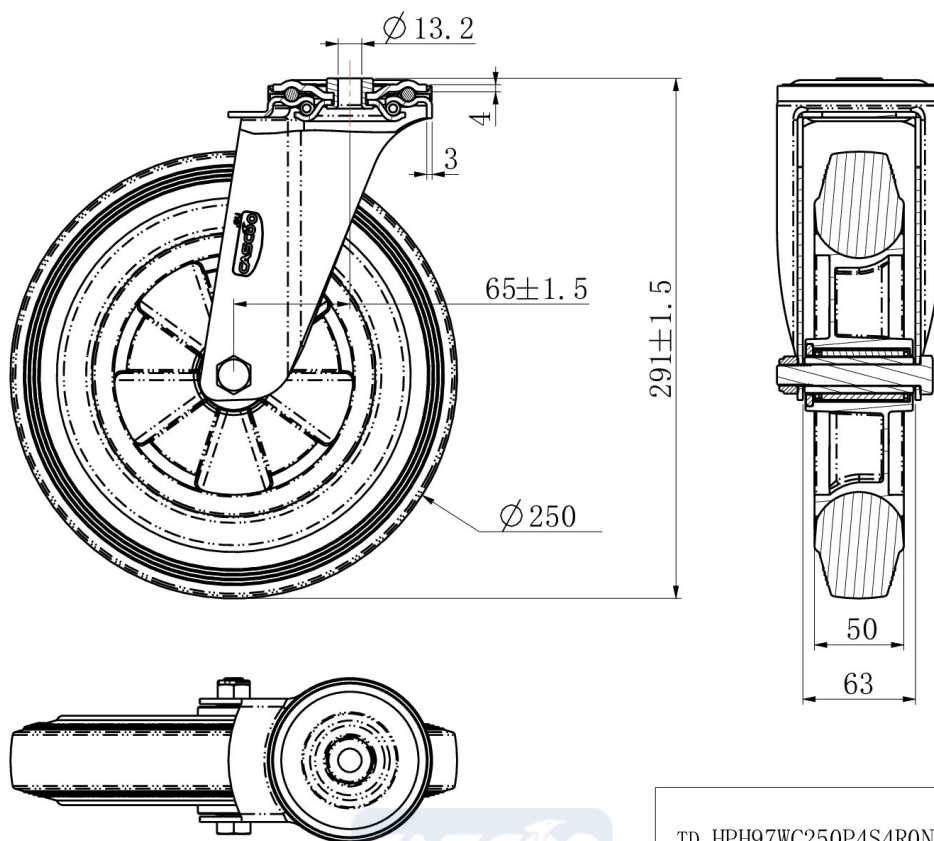
CASTOR HPH97WC250P4S4R0N



Product SKU	HPH97WC250P4S4R0N
Standard Compliance	DIN EN 12532
Series	P4S4
Fastening	Bolt fastening
Material of the Wheel	polypropylene (PP) wheel center
Tread	solid rubber tread
Temperature range	-20°C to +60°C
Wheel Diameter	250mm
Load Capacity	250kg
Total Height	288mm
Width of Tread	50mm
wheel hub Width	59mm
Offset	65mm
Fastening Bolt Hole Diameter	13mm
Wheel Bolt Size	M12
Bushing Diameter	20mm
Wheel Bearing	roller bearing
Rubber Shore	85° Shore A



CASTOR HPH97WC250P4S4R0N



TD_HPH97WC250P4S4R0N		
load capacity	250KG	