

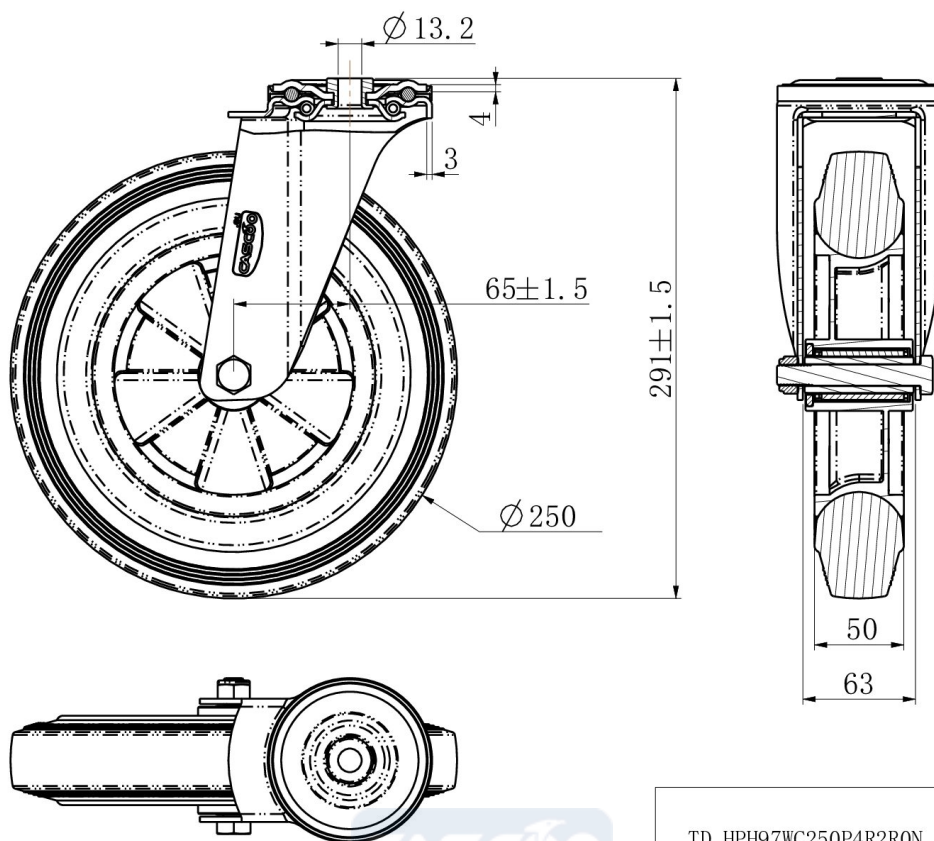
## CASTOR HPH97WC250P4R2R0N



<b>Product SKU</b>	HPH97WC250P4R2R0N
<b>Standard Compliance</b>	DIN EN 12532
<b>Series</b>	P4R2
<b>Fastening</b>	Bolt fastening
<b>Material of the Wheel</b>	polypropylene (PP) wheel center
<b>Tread</b>	solid rubber tread
<b>Temperature range</b>	-20°C to +60°C
<b>Wheel Diameter</b>	250mm
<b>Load Capacity</b>	250kg
<b>Total Height</b>	288mm
<b>Width of Tread</b>	50mm
<b>wheel hub Width</b>	59mm
<b>Offset</b>	65mm
<b>Fastening Bolt Hole Diameter</b>	13mm
<b>Wheel Bolt Size</b>	M12
<b>Bushing Diameter</b>	20mm
<b>Wheel Bearing</b>	roller bearing
<b>Rubber Shore</b>	85° Shore A



CASTOR HPH97WC250P4R2RON



TD\_HPH97WC250P4R2RON

load capacity	250KG
---------------	-------

