

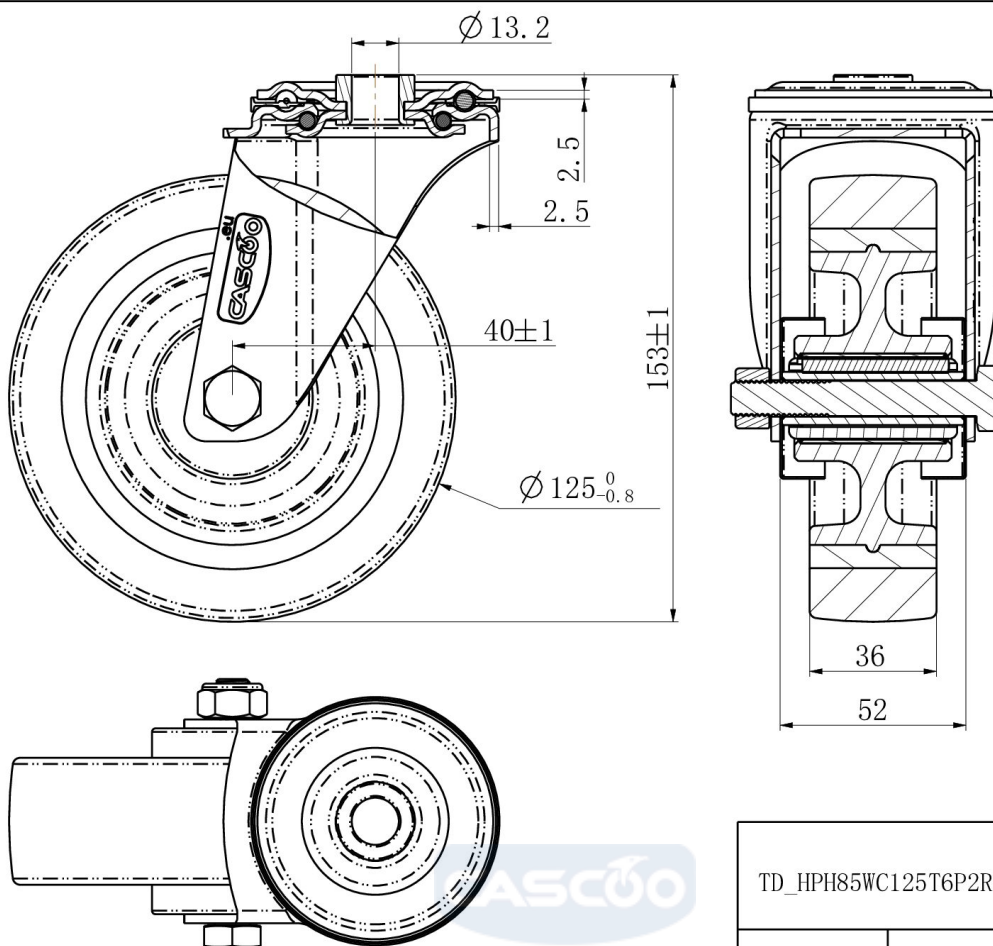
CASTOR HPH85WC125T6P2R1W



| | |
|-------------------------------------|---------------------------------|
| Product SKU | HPH85WC125T6P2R1W |
| Standard Compliance | DIN EN 12532 |
| Series | T6P2 |
| Fastening | Bolt fastening |
| Material of the Wheel | polypropylene (PP) wheel center |
| Tread | polypropylene (PP) tread |
| Temperature range | -20°C to +60°C |
| Wheel Diameter | 125mm |
| Load Capacity | 200kg |
| Total Height | 154mm |
| Width of Tread | 36mm |
| wheel hub Width | 40mm |
| Offset | 40mm |
| Fastening Bolt Hole Diameter | 13mm |
| Wheel Bolt Size | M10 |
| Bushing Diameter | 15mm |
| Weight | 0.8kg |
| Wheel Bearing | roller bearing |



CASTOR HPH85WC125T6P2R1W



| | | |
|----------------------|-------|--|
| TD_HPH85WC125T6P2R1W | | |
| load capacity | 160KG | |