

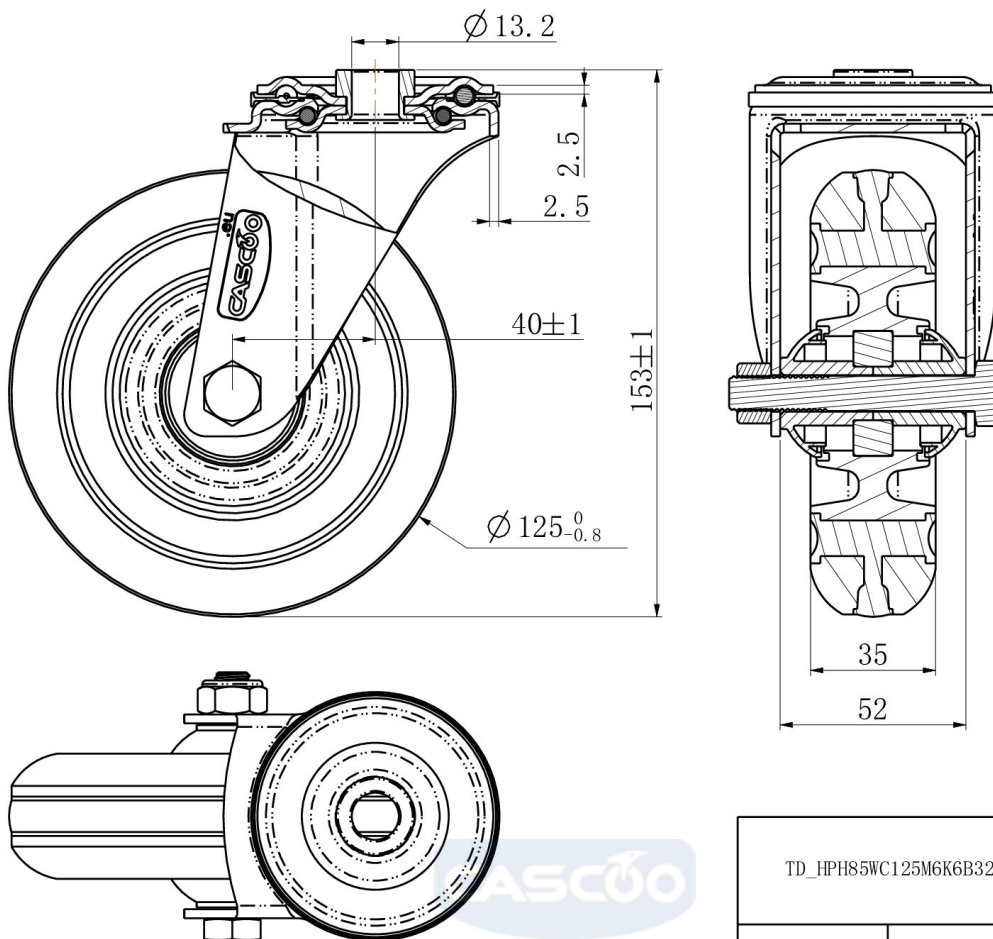
CASTOR HPH85WC125M6K6B32




| | |
|-------------------------------------|-----------------------------|
| Product SKU | HPH85WC125M6K6B32 |
| Standard Compliance | DIN EN 12532 |
| Series | M6K6 |
| Fastening | Bolt fastening |
| Brake and Direction | swivel without brake |
| Material of the Wheel | polyamide (PA) wheel center |
| Tread | polyamide (PA) tread |
| Temperature range | -20°C to +80°C |
| Wheel Diameter | 125mm |
| Load Capacity | 200kg |
| Total Height | 154mm |
| Width of Tread | 35mm |
| wheel hub Width | 40mm |
| Offset | 40mm |
| Fastening Bolt Hole Diameter | 13mm |
| Wheel Bolt Size | M10 |
| Bushing Diameter | 10mm |
| Wheel Bearing | ball bearing |



CASTOR HPH85WC125M6K6B32



| | | |
|----------------------|-------|---|
| TD_HPH85WC125M6K6B32 | |  |
| load capacity | 160KG | |