

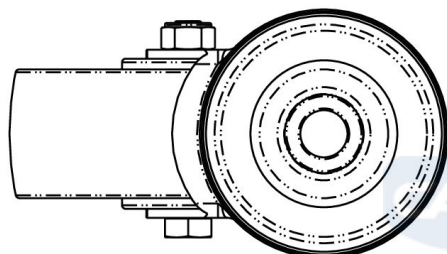
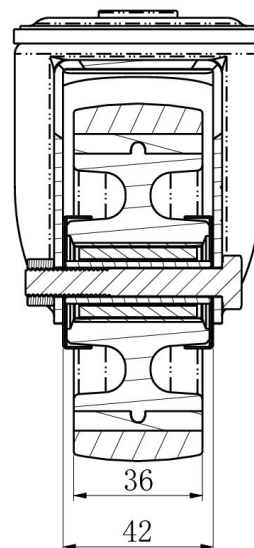
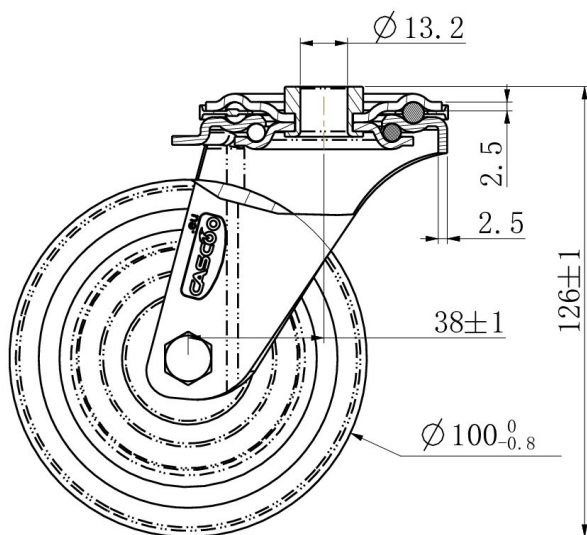
CASTOR HPH35WC100T6P2R1W



Product SKU	HPH35WC100T6P2R1W
Standard Compliance	DIN EN 12532
Series	T6P2
Fastening	Bolt fastening
Material of the Wheel	polypropylene (PP) wheel center
Tread	polypropylene (PP) tread
Temperature range	-20°C to +60°C
Wheel Diameter	100mm
Load Capacity	160kg
Total Height	127mm
Width of Tread	36mm
wheel hub Width	40mm
Offset	40mm
Fastening Bolt Hole Diameter	13mm
Wheel Bolt Size	M8
Bushing Diameter	12mm
Weight	0.61kg
Wheel Bearing	roller bearing




CASTOR HPH35WC100T6P2R1W



TD_HPH35WC100T6P2R1W

load capacity

150KG

