

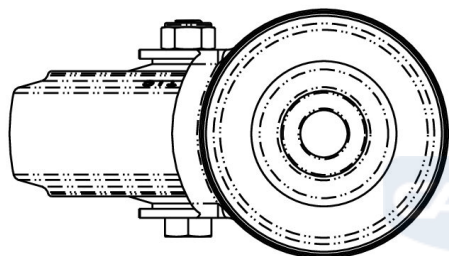
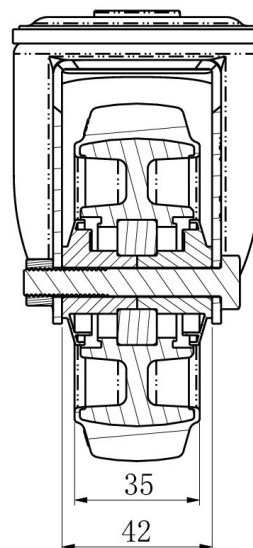
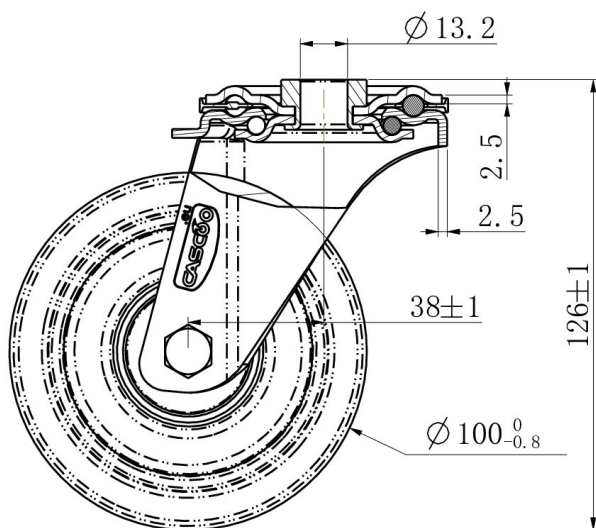
CASTOR HPH35WC100R4E1B34



Product SKU	HPH35WC100R4E1B34
Standard Compliance	DIN EN 12532
Series	R4E1
Fastening	Bolt fastening
Brake and Direction	swivel without brake
Material of the Wheel	polyamide (PA) wheel center
Tread	elastic tread
Temperature range	-20°C to +80°C
Wheel Diameter	100mm
Load Capacity	150kg
Total Height	127mm
Width of Tread	35mm
wheel hub Width	40mm
Offset	40mm
Fastening Bolt Hole Diameter	13mm
Wheel Bolt Size	M8
Bushing Diameter	8mm
Weight	0.59kg
Wheel Bearing	ball bearing
Rubber Shore	65° Shore A



CASTOR HPH35WC100R4E1B34



TD_HPH35WC100R4E1B34

load
capacity

150KG

