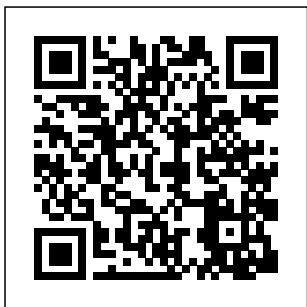


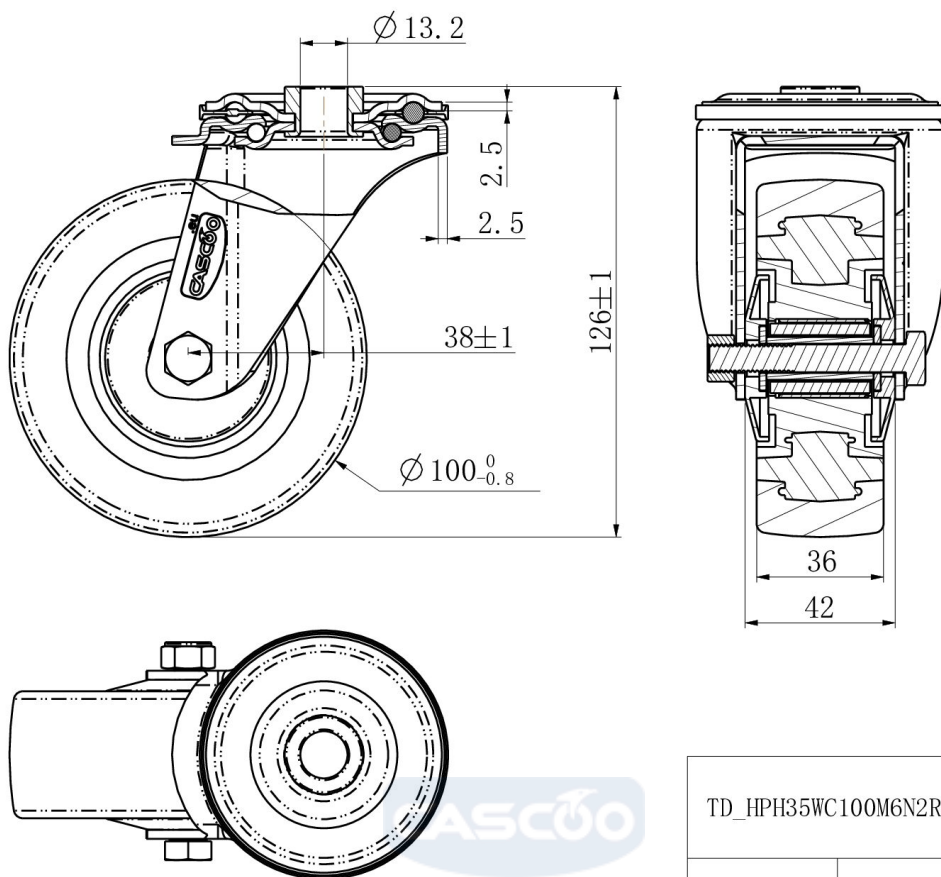
CASTOR HPH35WC100M6N2R32



Product SKU	HPH35WC100M6N2R32
Standard Compliance	DIN EN 12532
Series	M6N2
Fastening	Bolt fastening
Material of the Wheel	polyamide (PA) wheel center
Tread	polyamide (PA) tread
Temperature range	-20°C to +80°C
Wheel Diameter	100mm
Load Capacity	160kg
Total Height	127mm
Width of Tread	36mm
wheel hub Width	40mm
Offset	40mm
Fastening Bolt Hole Diameter	13mm
Wheel Bolt Size	M8
Bushing Diameter	12mm
Wheel Bearing	roller bearing



CASTOR HPH35WC100M6N2R32



TD_HPH35WC100M6N2R32		
load capacity	150KG	