

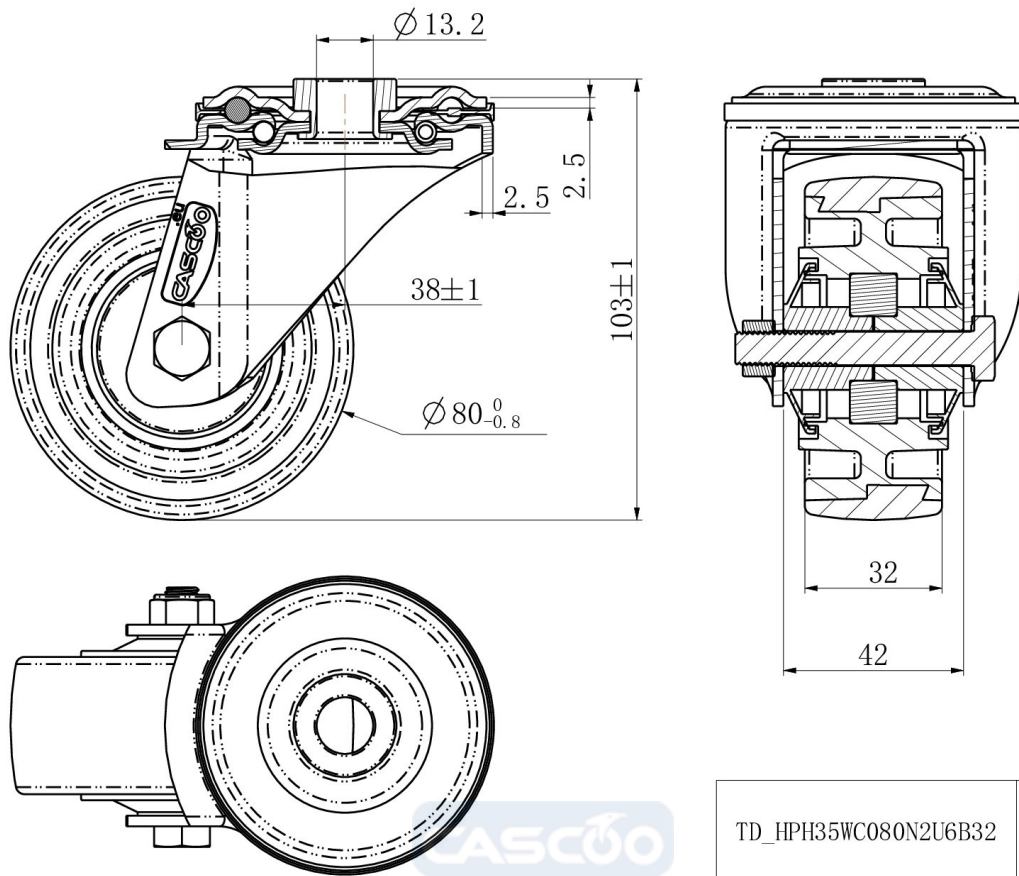
CASTOR HPH35WC080N2U6B32



| | |
|-------------------------------------|-----------------------------|
| Product SKU | HPH35WC080N2U6B32 |
| Standard Compliance | DIN EN 12532 |
| Series | N2U6 |
| Fastening | Bolt fastening |
| Brake and Direction | swivel without brake |
| Material of the Wheel | polyamide (PA) wheel center |
| Tread | polyurethane (PU) tread |
| Temperature range | -40°C to +80°C |
| Wheel Diameter | 80mm |
| Load Capacity | 130kg |
| Total Height | 104mm |
| Width of Tread | 32mm |
| wheel hub Width | 40mm |
| Offset | 40mm |
| Fastening Bolt Hole Diameter | 13mm |
| Wheel Bolt Size | M8 |
| Bushing Diameter | 8mm |
| Weight | 0.5kg |
| Wheel Bearing | ball bearing |
| Rubber Shore | 95° Shore A |



CASTOR HPH35WC080N2U6B32



| | | |
|----------------------|-------|--|
| TD_HPH35WC080N2U6B32 | | |
| load capacity | 130KG | |