

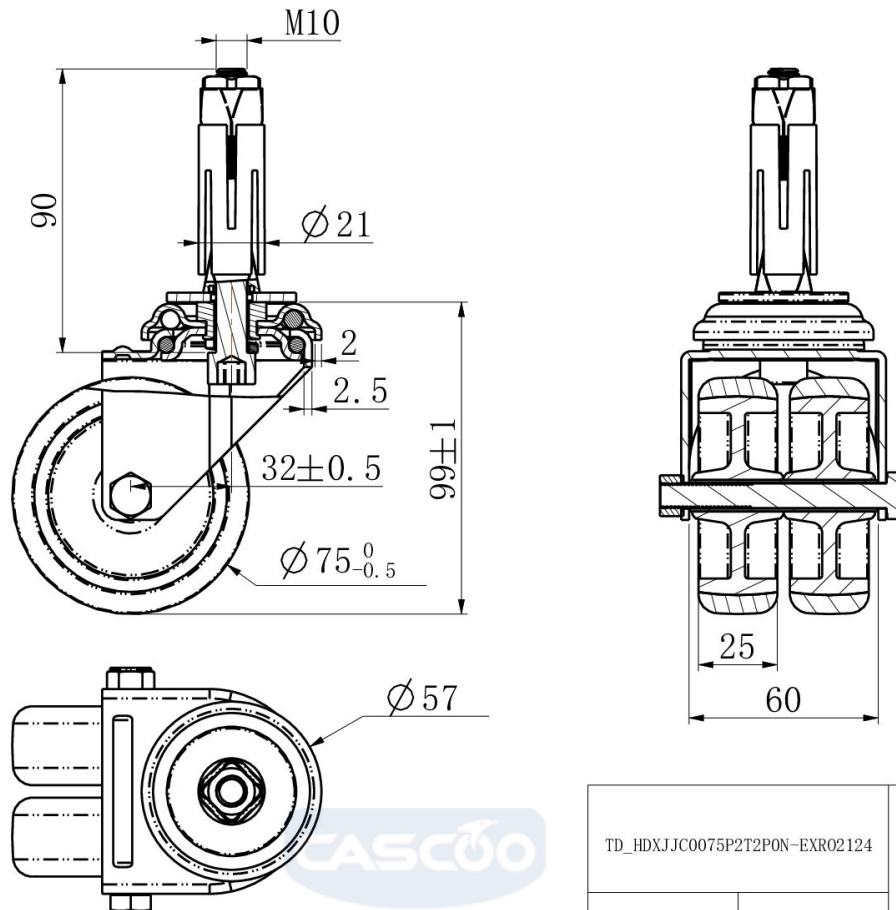
## CASTOR HDXJJC0075P2T2P0N



<b>Product SKU</b>	HDXJJC0075P2T2P0N
<b>Standard Compliance</b>	DIN EN 12530
<b>Series</b>	P2T2
<b>Fastening</b>	Bolt fastening
<b>Material of the Wheel</b>	polypropylene (PP) wheel center
<b>Tread</b>	thermoplastic rubber tread
<b>Temperature range</b>	-20°C to +60°C
<b>Wheel Diameter</b>	75mm
<b>Load Capacity</b>	100kg
<b>Total Height</b>	100mm
<b>Width of Tread</b>	25mm
<b>wheel hub Width</b>	28mm
<b>Offset</b>	32mm
<b>Fastening Bolt Hole Diameter</b>	11mm
<b>Wheel Bolt Size</b>	M8
<b>Bushing Diameter</b>	10mm
<b>Wheel Bearing</b>	plain bearing
<b>Rubber Shore</b>	95° Shore A



# CASTOR HDXJJC0075P2T2P0N



TD_HDXJJC0075P2T2P0N-EXR02124		
load capacity	100KG	