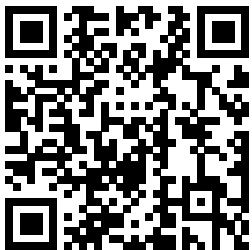


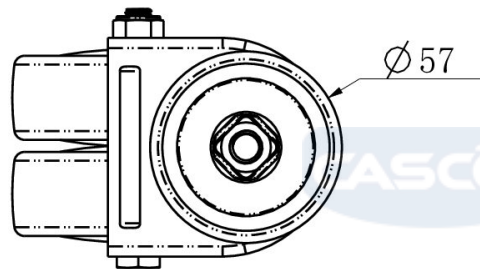
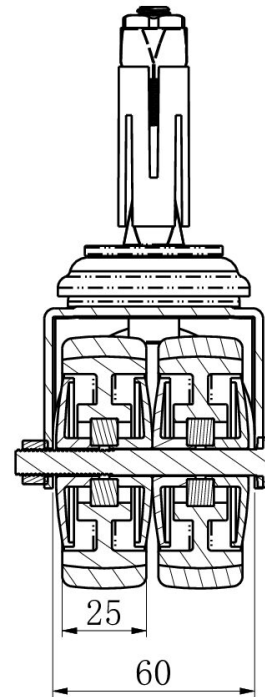
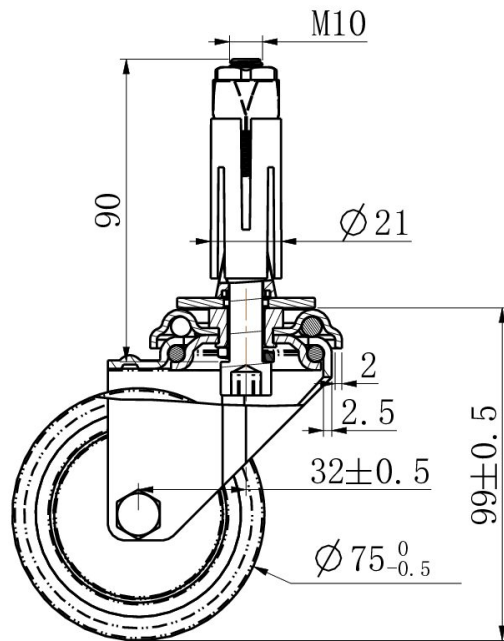
CASTOR HDXJJC0075P2T2B42



Product SKU	HDXJJC0075P2T2B42
Standard Compliance	DIN EN 12530
Series	P2T2
Fastening	Bolt fastening
Material of the Wheel	polypropylene (PP) wheel center
Tread	thermoplastic rubber tread
Temperature range	-20°C to +60°C
Wheel Diameter	75mm
Load Capacity	100kg
Total Height	100mm
Width of Tread	25mm
wheel hub Width	28mm
Offset	32mm
Fastening Bolt Hole Diameter	11mm
Wheel Bolt Size	M6
Bushing Diameter	6mm
Wheel Bearing	ball bearing
Rubber Shore	95° Shore A

CASTOR HDXJJC0075P2T2B42



TD_HDXJJC0075P2T2B42-EXR02124		
load capacity	100KG	