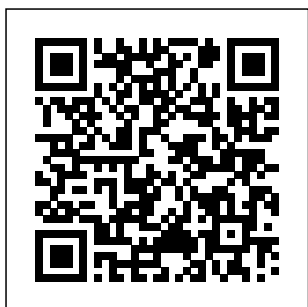


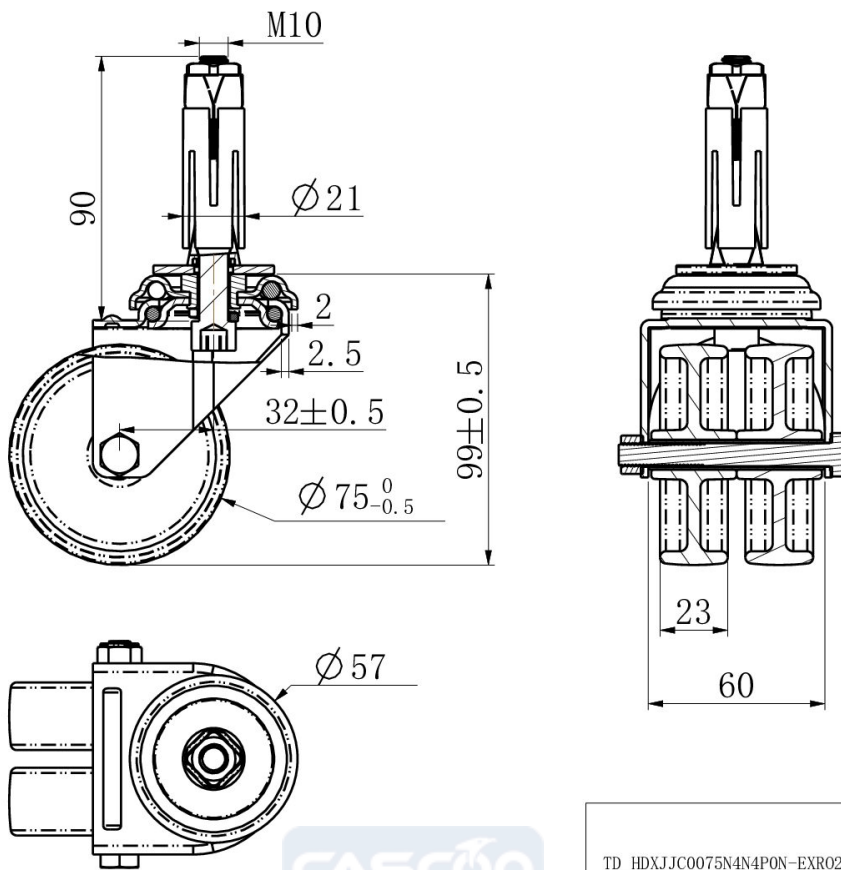
CASTOR HDXJJC0075N4N4P0N



Product SKU	HDXJJC0075N4N4P0N
Standard Compliance	DIN EN 12530
Series	N4N4
Fastening	Bolt fastening
Material of the Wheel	polyamide (PA) wheel center
Tread	polyamide (PA) tread
Temperature range	-20°C to +60°C
Wheel Diameter	75mm
Load Capacity	70kg
Total Height	100mm
Width of Tread	23mm
wheel hub Width	28mm
Offset	32mm
Fastening Bolt Hole Diameter	11mm
Wheel Bolt Size	M8
Bushing Diameter	10mm
Wheel Bearing	plain bearing



CASTOR HDXJJC0075N4N4P0N



TD_HDXJJC0075N4N4P0N-EXR02124		
load capacity	70KG	