

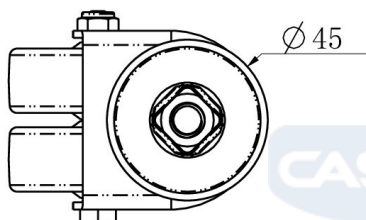
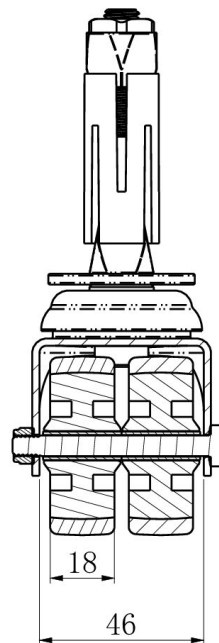
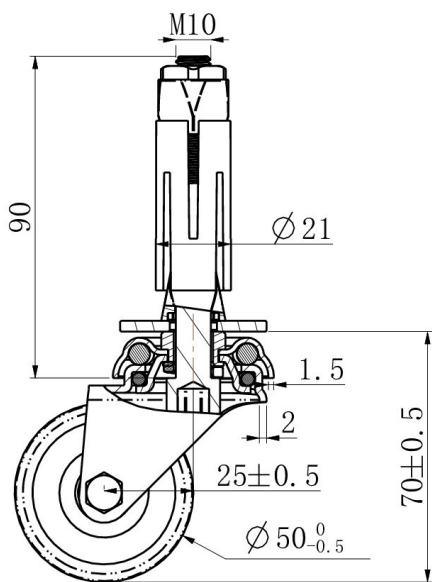
CASTOR HDXHHC0050P2T2P0N



Product SKU	HDXHHC0050P2T2P0N
Standard Compliance	DIN EN 12530
Series	P2T2
Fastening	Bolt fastening
Material of the Wheel	polypropylene (PP) wheel center
Tread	thermoplastic rubber tread
Temperature range	-20°C to +60°C
Wheel Diameter	50mm
Load Capacity	70kg
Total Height	70mm
Width of Tread	19mm
wheel hub Width	22mm
Offset	25mm
Fastening Bolt Hole Diameter	11mm
Wheel Bolt Size	M6
Bushing Diameter	8mm
Wheel Bearing	plain bearing
Rubber Shore	95° Shore A



CASTOR HDXHHC0050P2T2P0N



TD_HDXHHC0050P2T2P0N-EXR02124

load capacity

70KG

