

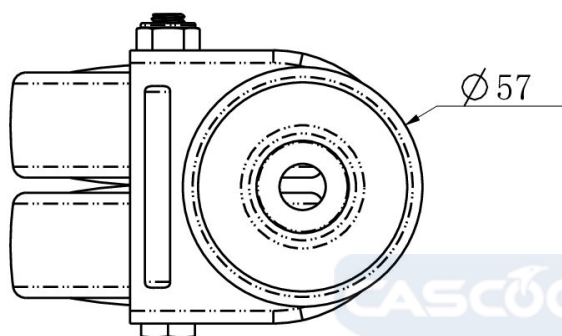
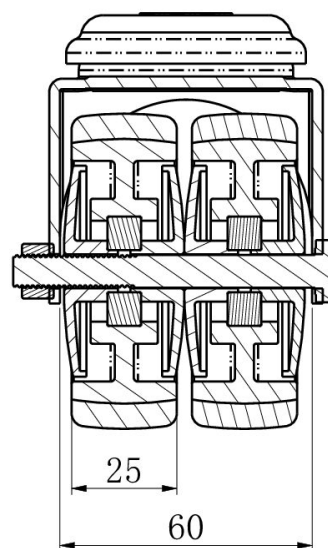
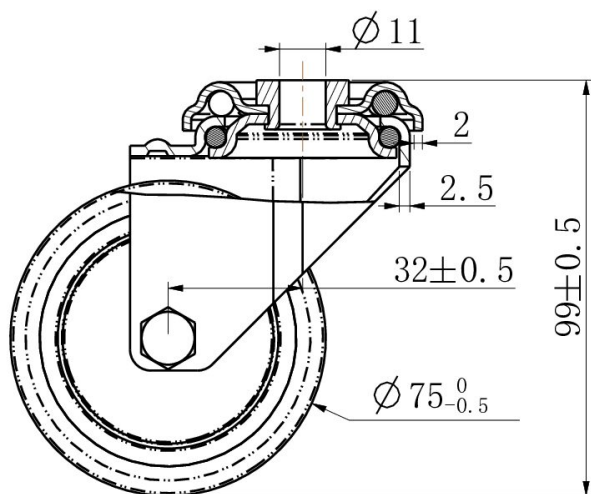
## CASTOR HDHJJC0075P2T2B42




<b>Product SKU</b>	HDHJJC0075P2T2B42
<b>Standard Compliance</b>	DIN EN 12530
<b>Series</b>	P2T2
<b>Fastening</b>	Bolt fastening
<b>Brake and Direction</b>	swivel without brake
<b>Material of the Wheel</b>	polypropylene (PP) wheel center
<b>Tread</b>	thermoplastic rubber tread
<b>Temperature range</b>	-20°C to +60°C
<b>Wheel Diameter</b>	75mm
<b>Load Capacity</b>	100kg
<b>Total Height</b>	100mm
<b>Width of Tread</b>	25mm
<b>wheel hub Width</b>	56mm
<b>Offset</b>	32mm
<b>Fastening Bolt Hole Diameter</b>	11mm
<b>Wheel Bolt Size</b>	M6
<b>Bushing Diameter</b>	6mm
<b>Weight</b>	0.48kg
<b>Wheel Bearing</b>	ball bearing
<b>Rubber Shore</b>	95° Shore A



# CASTOR HDHJJC0075P2T2B42



TD_HDHJJC0075P2T2B42		
load capacity	100KG	