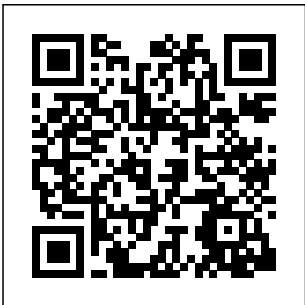


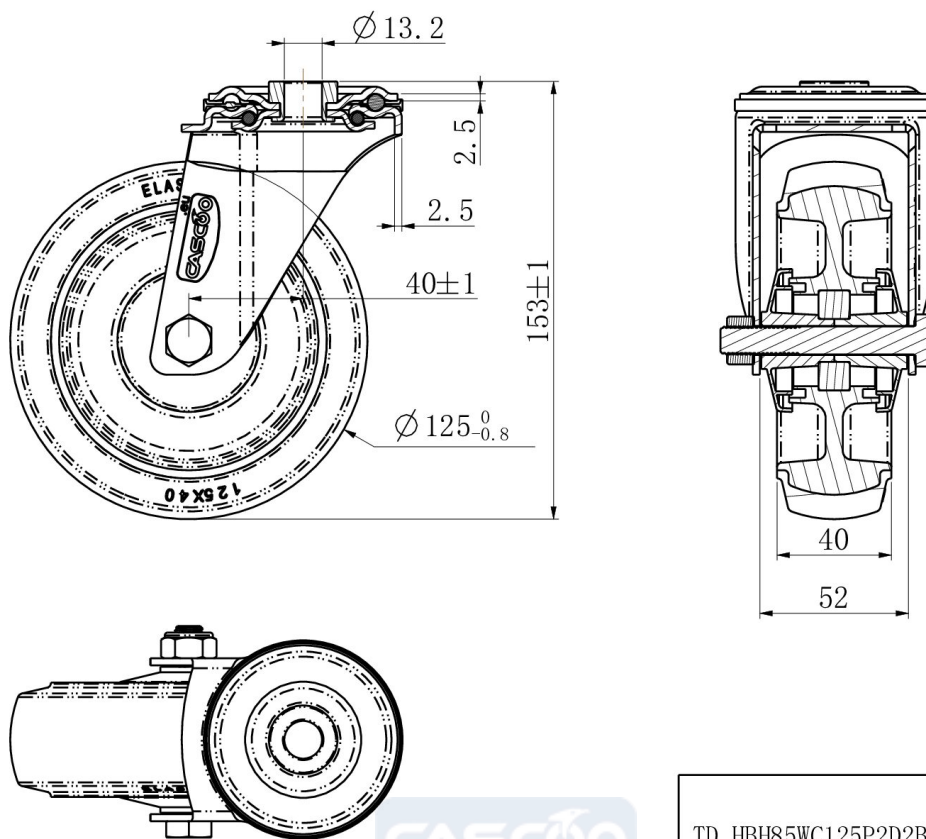
CASTOR HBH85WC125P2D2B32A




Product SKU	HBH85WC125P2D2B32A
Standard Compliance	DIN EN 12532
Series	P2D2 (antistatic)
Fastening	Bolt fastening
Brake and Direction	swivel without brake
Material of the Wheel	polypropylene (PP) wheel center
Tread	thermoplastic rubber tread
Temperature range	-20°C to +60°C
Wheel Diameter	125mm
Load Capacity	120kg
Total Height	154mm
Width of Tread	40mm
wheel hub Width	50mm
Offset	40mm
Fastening Bolt Hole Diameter	13mm
Wheel Bolt Size	M10
Bushing Diameter	10mm
Weight	0.74kg
Wheel Bearing	ball bearing
Special Features	antistatic



CASTOR HBH85WC125P2D2B32A



TD_HBH85WC125P2D2B32A		
load capacity	120KG	