

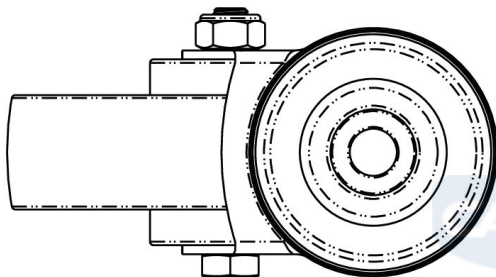
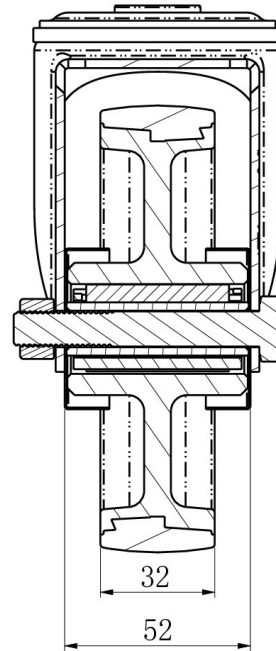
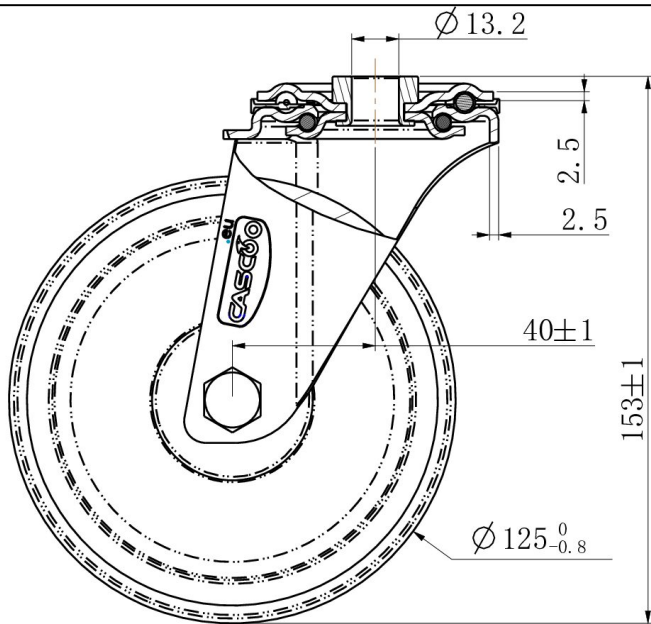
## CASTOR HBH85WC125N2U6R1W




<b>Product SKU</b>	HBH85WC125N2U6R1W
<b>Standard Compliance</b>	DIN EN 12532
<b>Series</b>	N2U6
<b>Fastening</b>	Bolt fastening
<b>Material of the Wheel</b>	polyamide (PA) wheel center
<b>Tread</b>	polyurethane (PU) tread
<b>Temperature range</b>	-40°C to +80°C
<b>Wheel Diameter</b>	125mm
<b>Load Capacity</b>	160kg
<b>Total Height</b>	154mm
<b>Width of Tread</b>	32mm
<b>wheel hub Width</b>	50mm
<b>Offset</b>	40mm
<b>Fastening Bolt Hole Diameter</b>	13mm
<b>Wheel Bolt Size</b>	M10
<b>Bushing Diameter</b>	15mm
<b>Weight</b>	0.78kg
<b>Wheel Bearing</b>	roller bearing
<b>Rubber Shore</b>	95° Shore A




# CASTOR HBH85WC125N2U6R1W



TD_HBH85WC125N2U6R1W		
load capacity	150KG	