

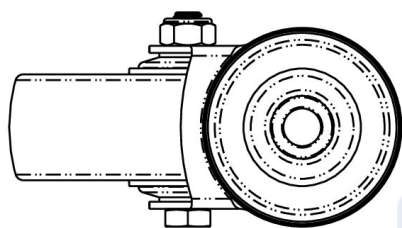
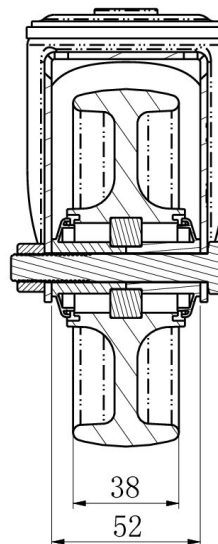
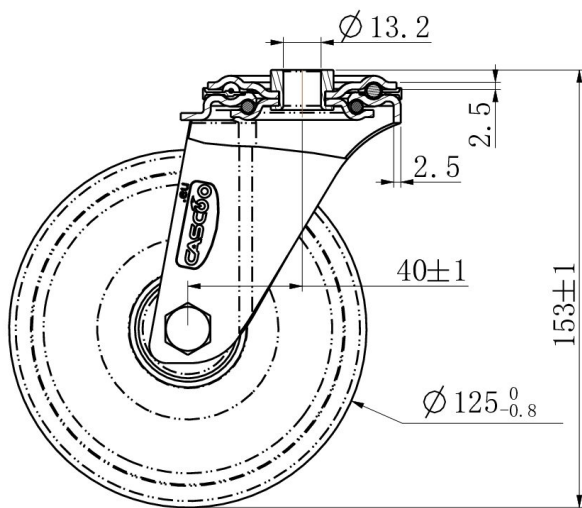
CASTOR HBH85WC125N0N0B30




Product SKU	HBH85WC125N0N0B30
Standard Compliance	DIN EN 12532
Series	N0N0
Fastening	Bolt fastening
Brake and Direction	swivel without brake
Material of the Wheel	polyamide (PA) wheel center
Tread	polyamide (PA) tread
Temperature range	-40°C to +80°C
Wheel Diameter	125mm
Load Capacity	200kg
Total Height	154mm
Width of Tread	38mm
wheel hub Width	50mm
Offset	40mm
Fastening Bolt Hole Diameter	13mm
Wheel Bolt Size	M10
Bushing Diameter	10mm
Weight	0.69kg
Wheel Bearing	ball bearing



CASTOR HBH85WC125N0N0B30



TD_HBH85WC125N0N0B30		
load capacity	150KG	