

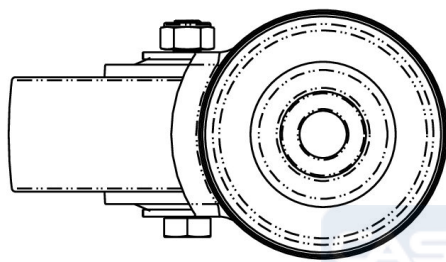
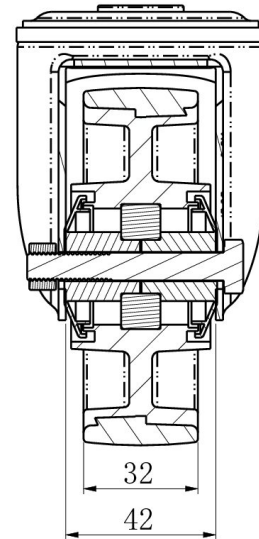
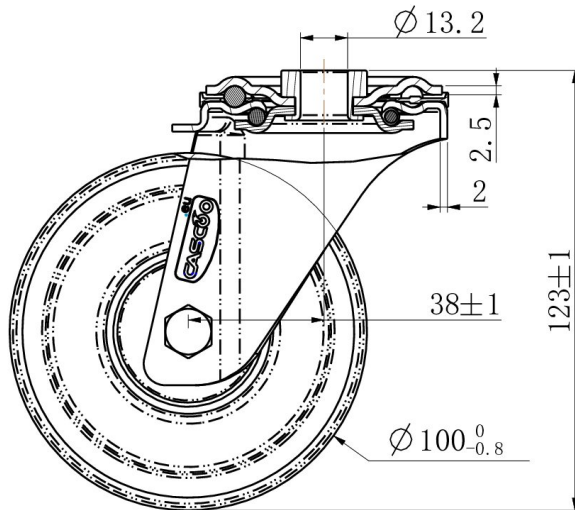
CASTOR HBH36WC100P2V2B32



Product SKU	HBH36WC100P2V2B32
Standard Compliance	DIN EN 12532
Series	P2V2
Fastening	Bolt fastening
Brake and Direction	swivel without brake
Material of the Wheel	polypropylene (PP) wheel center
Tread	thermoplastic rubber tread
Temperature range	-20°C to +60°C
Wheel Diameter	100mm
Load Capacity	100kg
Total Height	124mm
Width of Tread	32mm
wheel hub Width	40mm
Offset	40mm
Fastening Bolt Hole Diameter	13mm
Wheel Bolt Size	M8
Bushing Diameter	8mm
Weight	0.49kg
Wheel Bearing	ball bearing
Rubber Shore	85° Shore A



CASTOR HBH36WC100P2V2B32



TD_HBH36WC100P2V2B32

load capacity

100KG

