

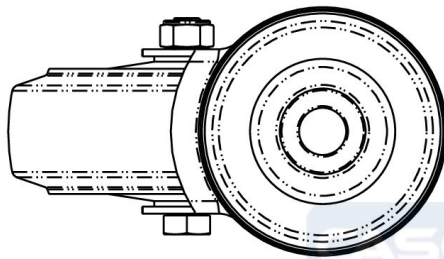
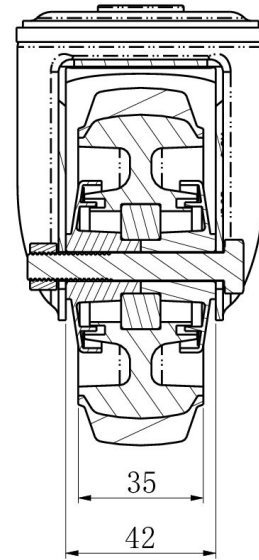
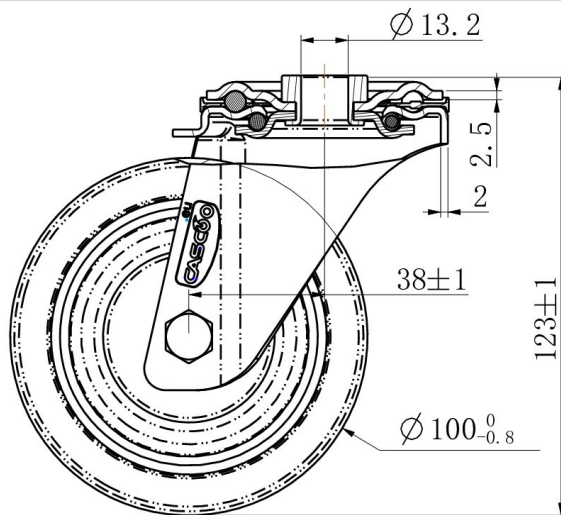
CASTOR HBH36WC100P2D2B32E



Product SKU	HBH36WC100P2D2B32E
Standard Compliance	DIN EN 12532
Series	P2D2 (ESD)
Fastening	Bolt fastening
Brake and Direction	swivel without brake
Material of the Wheel	polypropylene (PP) wheel center
Tread	thermoplastic rubber tread
Temperature range	-20°C to +60°C
Wheel Diameter	100mm
Load Capacity	90kg
Total Height	124mm
Width of Tread	35mm
wheel hub Width	40mm
Offset	40mm
Fastening Bolt Hole Diameter	13mm
Wheel Bolt Size	M8
Bushing Diameter	8mm
Weight	0.37kg
Wheel Bearing	ball bearing
Special Features	electrostatic (ESD)



CASTOR HBH36WC100P2D2B32E



TD_HBH36WC100P2D2B32E

load
capacity

90KG

