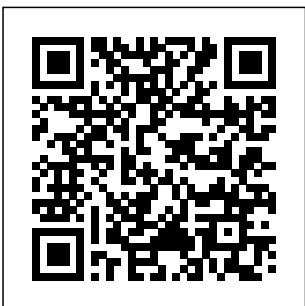


CASTOR HBH36WC080P2W2P0N

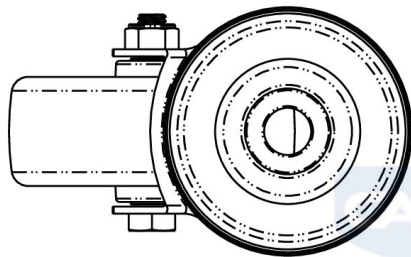
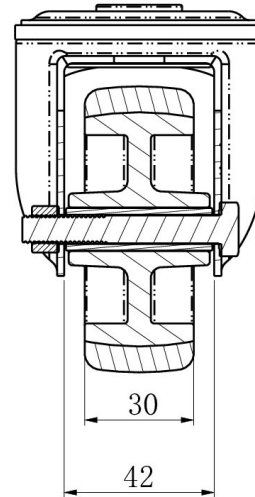
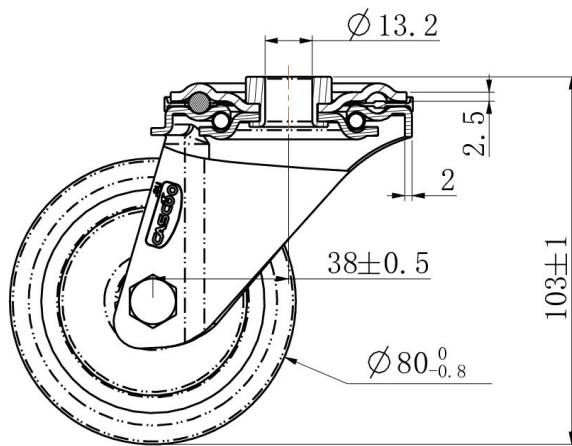


Product SKU	HBH36WC080P2W2P0N
Standard Compliance	DIN EN 12532
Series	P2W2
Fastening	Bolt fastening
Material of the Wheel	polypropylene (PP) wheel center
Tread	thermoplastic rubber tread
Temperature range	-20°C to +60°C
Wheel Diameter	80mm
Load Capacity	80kg
Total Height	104mm
Width of Tread	30mm
wheel hub Width	40mm
Offset	40mm
Fastening Bolt Hole Diameter	13mm
Wheel Bolt Size	M8
Bushing Diameter	12mm
Weight	0.45kg
Wheel Bearing	plain bearing
Rubber Shore	95° Shore A





CASTOR HBH36WC080P2W2P0N



TD_HBH36WC080P2W2P0N		
load capacity	75KG	