

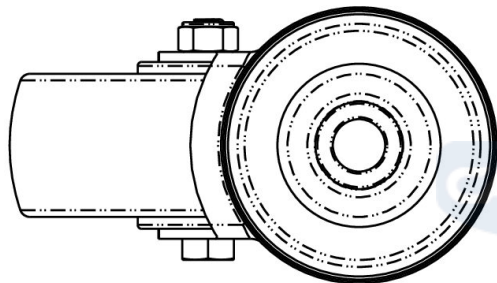
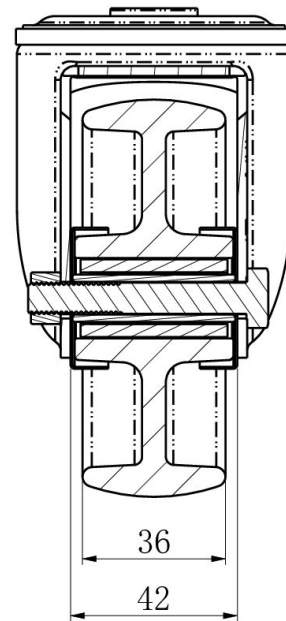
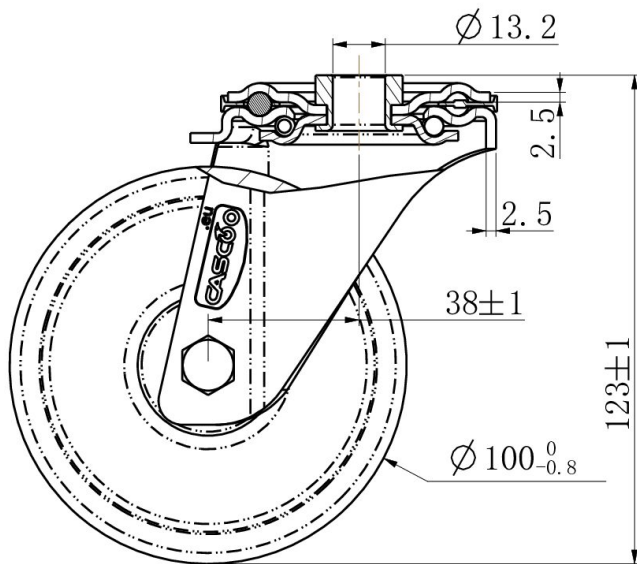
CASTOR HBH35WC100N0N0R1W




Product SKU	HBH35WC100N0N0R1W
Standard Compliance	DIN EN 12532
Series	N0N0
Fastening	Bolt fastening
Material of the Wheel	polyamide (PA) wheel center
Tread	polyamide (PA) tread
Temperature range	-40°C to +80°C
Wheel Diameter	100mm
Load Capacity	150kg
Total Height	124mm
Width of Tread	36mm
wheel hub Width	40mm
Offset	40mm
Fastening Bolt Hole Diameter	13mm
Wheel Bolt Size	M8
Bushing Diameter	12mm
Weight	0.52kg
Wheel Bearing	roller bearing



CASTOR HBH35WC100N0N0R1W



TD_HBH35WC100N0N0R1W		
load capacity	150KG	