

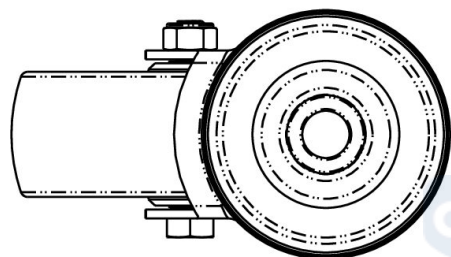
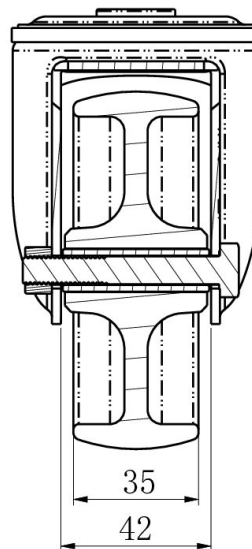
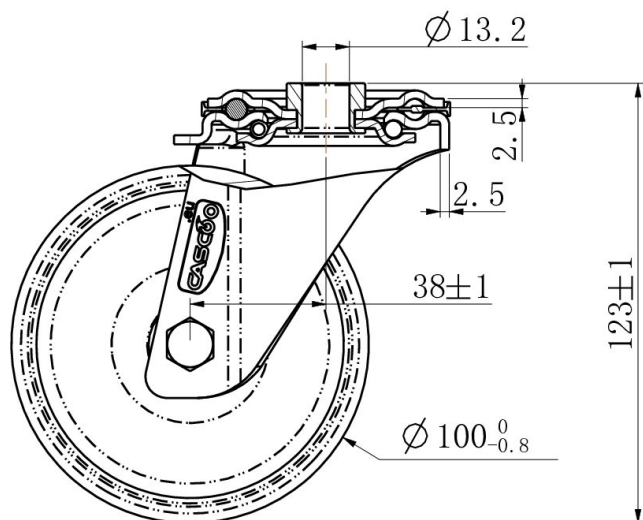
## CASTOR HBH35WC100N0N0P0N




<b>Product SKU</b>	HBH35WC100N0N0P0N
<b>Standard Compliance</b>	DIN EN 12532
<b>Series</b>	N0N0
<b>Fastening</b>	Bolt fastening
<b>Material of the Wheel</b>	polyamide (PA) wheel center
<b>Tread</b>	polyamide (PA) tread
<b>Temperature range</b>	-40°C to +80°C
<b>Wheel Diameter</b>	100mm
<b>Load Capacity</b>	150kg
<b>Total Height</b>	124mm
<b>Width of Tread</b>	36mm
<b>wheel hub Width</b>	40mm
<b>Offset</b>	40mm
<b>Fastening Bolt Hole Diameter</b>	13mm
<b>Wheel Bolt Size</b>	M8
<b>Bushing Diameter</b>	12mm
<b>Weight</b>	0.49kg
<b>Wheel Bearing</b>	plain bearing



# CASTOR HBH35WC100N0N0P0N



TD_HBH35WC100N0N0P0N		
load capacity	150KG	