

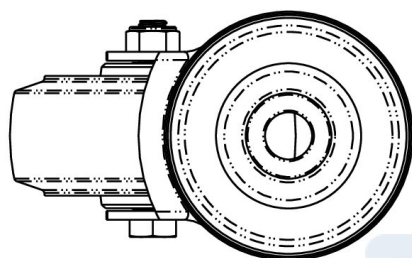
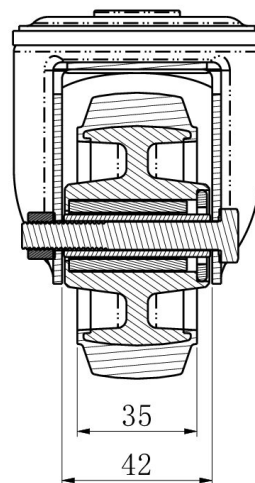
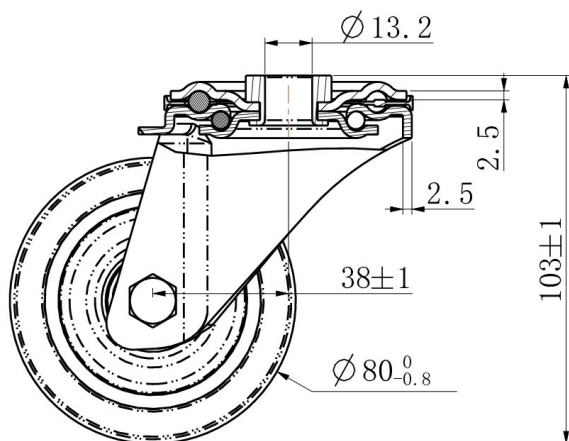
CASTOR HBH35WC080R4F1R0N



Product SKU	HBH35WC080R4F1R0N
Standard Compliance	DIN EN 12532
Series	R4F1
Fastening	Bolt fastening
Material of the Wheel	polyamide (PA) wheel center
Tread	elastic tread
Temperature range	-20°C to +80°C
Wheel Diameter	80mm
Load Capacity	130kg
Total Height	104mm
Width of Tread	35mm
wheel hub Width	40mm
Offset	40mm
Fastening Bolt Hole Diameter	13mm
Wheel Bolt Size	M8
Bushing Diameter	12mm
Weight	0.51kg
Wheel Bearing	roller bearing
Rubber Shore	75° Shore A



CASTOR HBH35WC080R4F1R0N



TD_HBH35WC080R4F1R0N		
load capacity	130KG	