

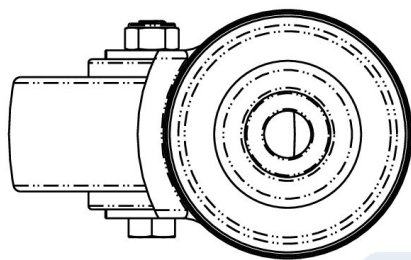
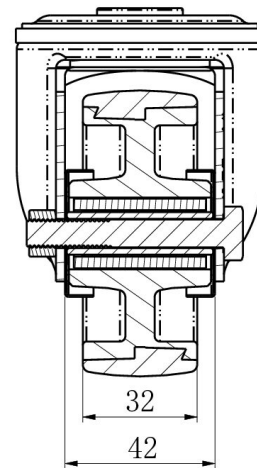
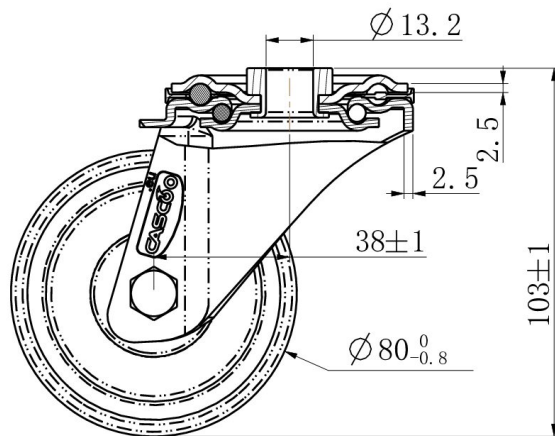
CASTOR HBH35WC080N2U6R1W



Product SKU	HBH35WC080N2U6R1W
Standard Compliance	DIN EN 12532
Series	N2U6
Fastening	Bolt fastening
Material of the Wheel	polyamide (PA) wheel center
Tread	polyurethane (PU) tread
Temperature range	-40°C to +80°C
Wheel Diameter	80mm
Load Capacity	130kg
Total Height	104mm
Width of Tread	32mm
wheel hub Width	40mm
Offset	40mm
Fastening Bolt Hole Diameter	13mm
Wheel Bolt Size	M8
Bushing Diameter	12mm
Weight	0.5kg
Wheel Bearing	roller bearing
Rubber Shore	95° Shore A



CASTOR HBH35WC080N2U6R1W



TD_HBH35WC080N2U6R1W		
load capacity	130KG	