

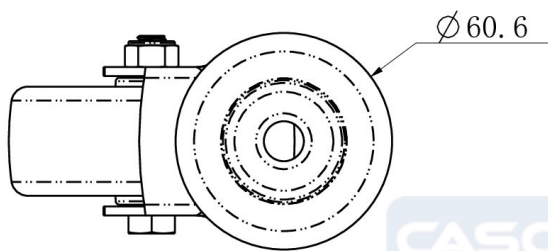
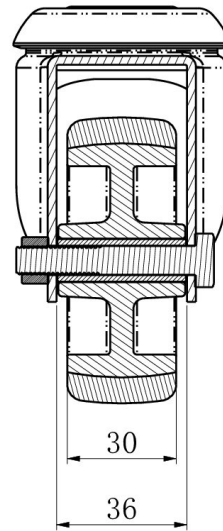
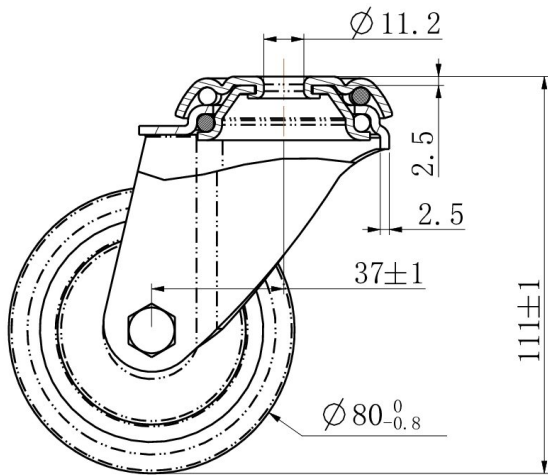
CASTOR HAH15C0080P2T2P0N



Product SKU	HAH15C0080P2T2P0N
Standard Compliance	DIN EN 12530
Series	P2T2
Fastening	Bolt fastening
Material of the Wheel	polypropylene (PP) wheel center
Tread	thermoplastic rubber tread
Temperature range	-20°C to +60°C
Wheel Diameter	80mm
Load Capacity	80kg
Total Height	111mm
Width of Tread	32mm
wheel hub Width	36mm
Offset	37mm
Fastening Bolt Hole Diameter	11mm
Wheel Bolt Size	M8
Bushing Diameter	12mm
Weight	0.41kg
Wheel Bearing	plain bearing
Rubber Shore	95° Shore A




CASTOR HAH15C0080P2T2P0N



TD_HAH15C0080P2T2P0N		
load capacity	80KG	