

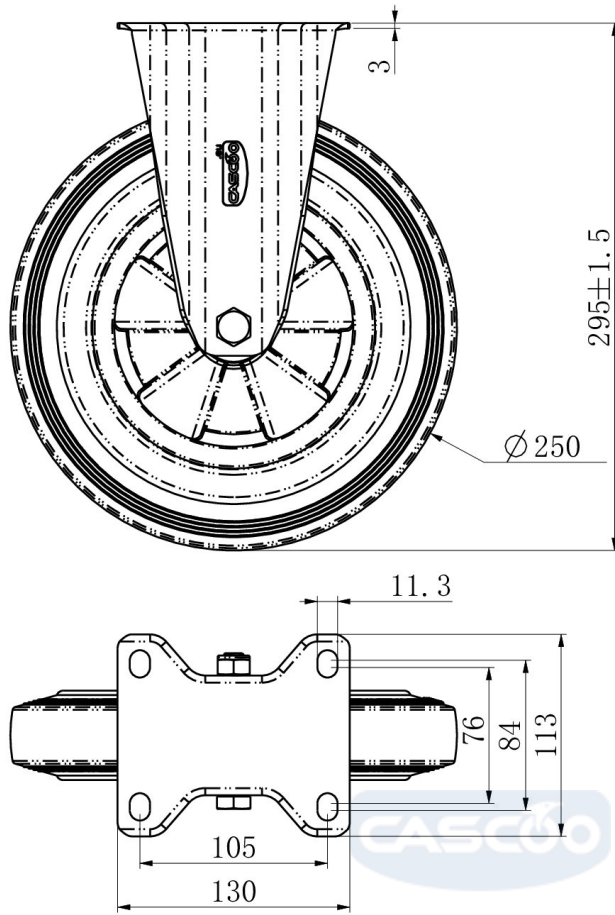
CASTOR FPP53WC250P4R2R0N



Product SKU	FPP53WC250P4R2R0N
Standard Compliance	DIN EN 12532
Series	P4R2
Fastening	Plate fastening
Brake and Direction	fixed direction
Material of the Wheel	polypropylene (PP) wheel center
Tread	solid rubber tread
Temperature range	-20°C to +60°C
Wheel Diameter	250mm
Load Capacity	250kg
Total Height	295mm
Width of Tread	50mm
wheel hub Width	59mm
Dimension of Plate	135x110mm
Hole Spacing of the Plate	105x84/76mm
Wheel Bolt Size	M12
Bushing Diameter	20mm
Wheel Bearing	roller bearing
Rubber Shore	85° Shore A



CASTOR FPP53WC250P4R2R0N



TD_FPP53WC250P4R2R0N		
load capacity	250KG	