

CASTOR FPP53WC160R4F1R0N

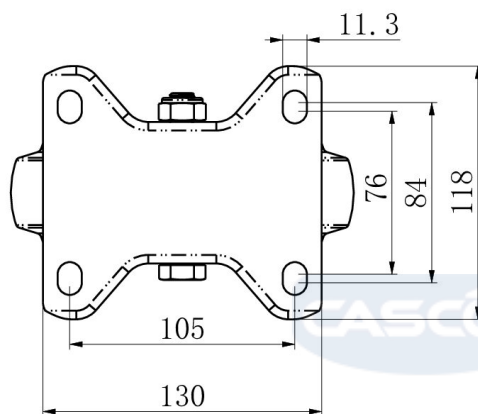
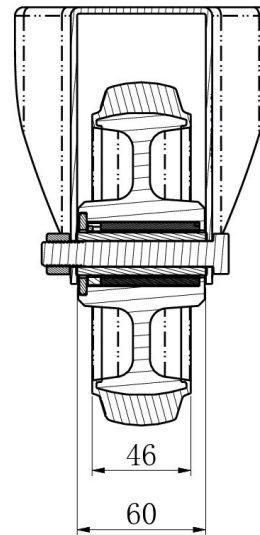
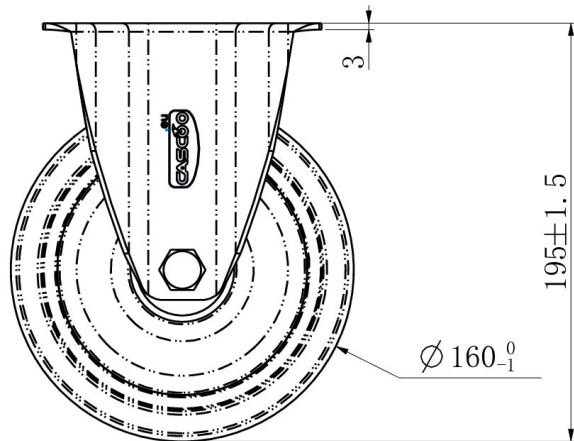


Product SKU	FPP53WC160R4F1R0N
Standard Compliance	DIN EN 12532
Series	R4F1
Fastening	Plate fastening
Brake and Direction	fixed direction
Material of the Wheel	polyamide (PA) wheel center
Tread	elastic tread
Temperature range	-20°C to +80°C
Wheel Diameter	160mm
Load Capacity	300kg
Total Hight	195mm
Width of Tread	46mm
wheel hub Width	59mm
Dimension of Plate	135x110mm
Hole Spacing of the Plate	105x84/76mm
Wheel Bolt Size	M12
Bushing Diameter	20mm
Weight	1.57kg
Wheel Bearing	roller bearing
Rubber Shore	75° Shore A





CASTOR FPP53WC160R4F1R0N



TD_FPP53WC160R4F1R0N		
load capacity	300KG	