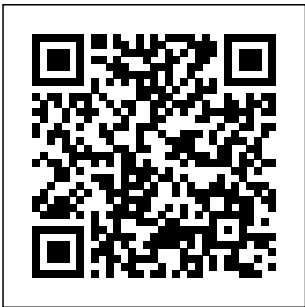


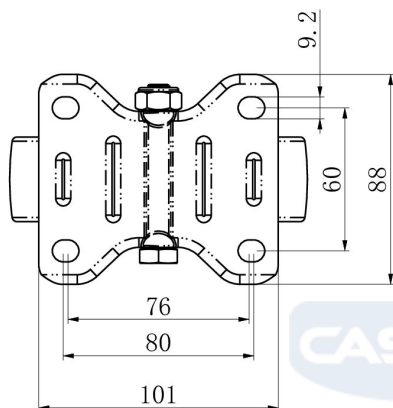
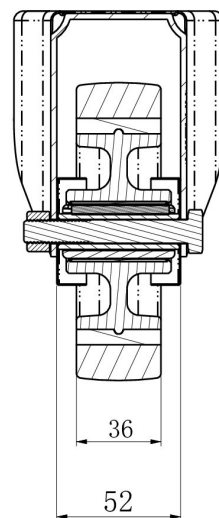
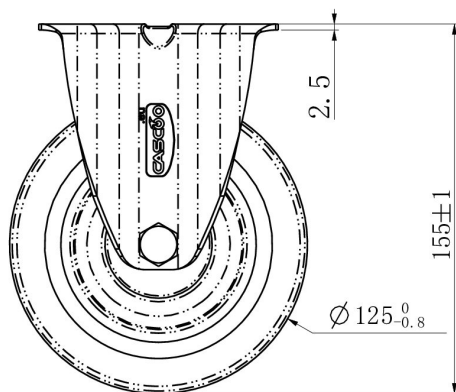
CASTOR FPP35WC125T6P2R1W




Product SKU	FPP35WC125T6P2R1W
Standard Compliance	DIN EN 12532
Series	T6P2
Fastening	Plate fastening
Brake and Direction	fixed direction
Material of the Wheel	polypropylene (PP) wheel center
Tread	polypropylene (PP) tread
Temperature range	-20°C to +60°C
Wheel Diameter	125mm
Load Capacity	200kg
Total Height	155mm
Width of Tread	36mm
wheel hub Width	50mm
Dimension of Plate	105x80mm
Hole Spacing of the Plate	80/77x60mm
Wheel Bolt Size	M10
Bushing Diameter	15mm
Weight	0.84kg
Wheel Bearing	roller bearing



CASTOR FPP35WC125T6P2R1W



TD_FPP35WC125T6P2R1W		
load capacity	200KG	