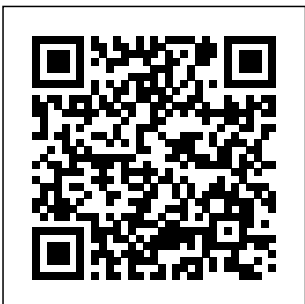


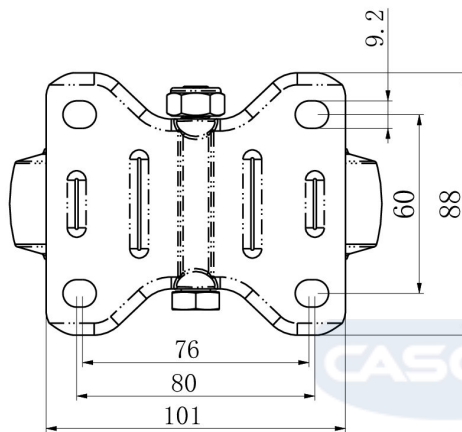
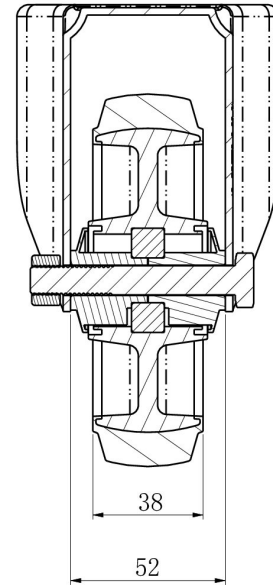
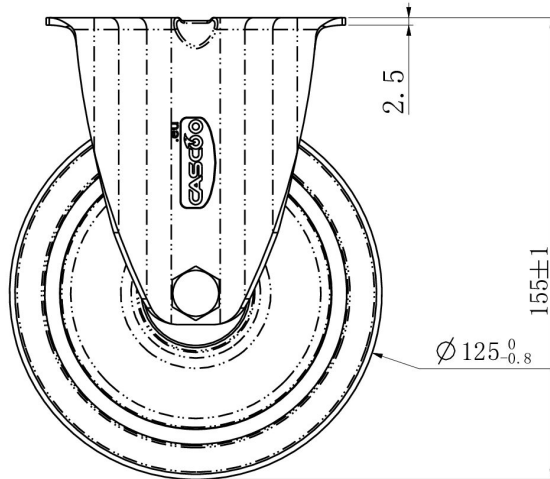
CASTOR FPP35WC125R4E2B34




Product SKU	FPP35WC125R4E2B34
Standard Compliance	DIN EN 12532
Series	R4E2
Fastening	Plate fastening
Brake and Direction	fixed direction
Material of the Wheel	polyamide (PA) wheel center
Tread	elastic tread
Temperature range	-20°C to +80°C
Wheel Diameter	125mm
Load Capacity	220kg
Total Height	155mm
Width of Tread	38mm
wheel hub Width	50mm
Dimension of Plate	105x80mm
Hole Spacing of the Plate	80/77x60mm
Wheel Bolt Size	M10
Bushing Diameter	10mm
Weight	0.77kg
Wheel Bearing	ball bearing
Rubber Shore	65° Shore A



CASTOR FPP35WC125R4E2B34



TD_FPP35WC125R4E2B34		
load capacity	220KG	