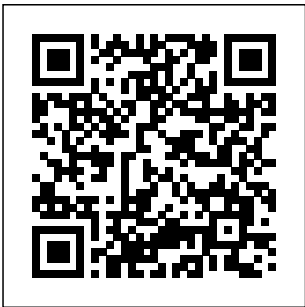


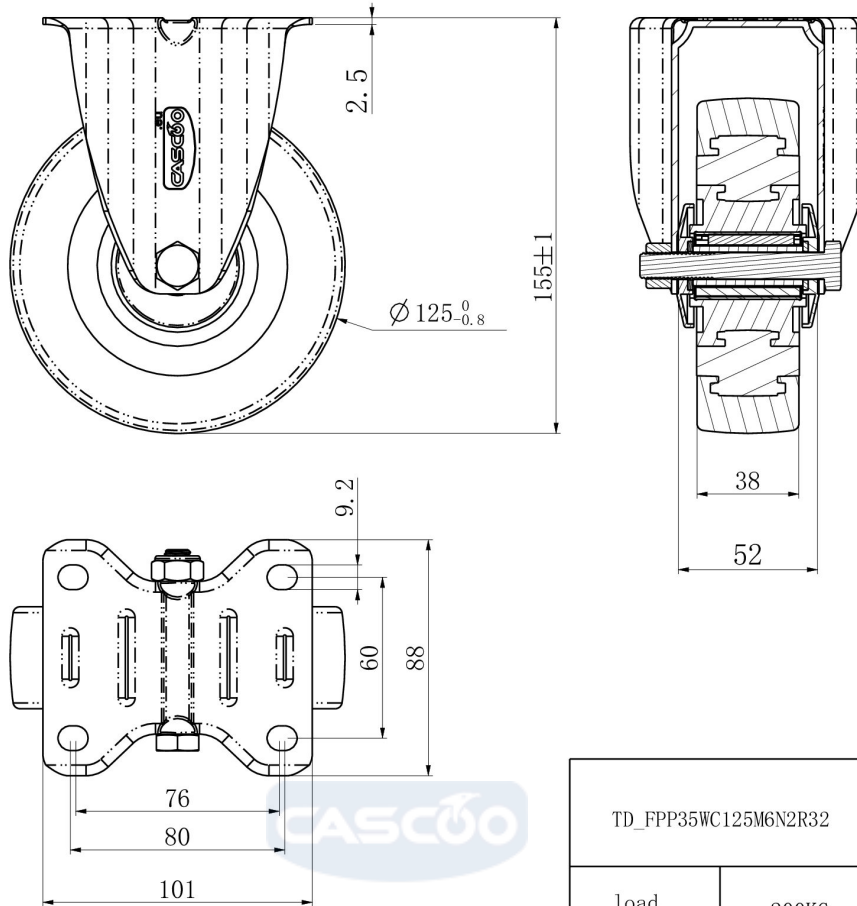
CASTOR FPP35WC125M6N2R32




Product SKU	FPP35WC125M6N2R32
Standard Compliance	DIN EN 12532
Series	M6N2
Fastening	Plate fastening
Brake and Direction	fixed direction
Material of the Wheel	polyamide (PA) wheel center
Tread	polyamide (PA) tread
Temperature range	-20°C to +80°C
Wheel Diameter	125mm
Load Capacity	200kg
Total Height	155mm
Width of Tread	36mm
wheel hub Width	50mm
Dimension of Plate	105x80mm
Hole Spacing of the Plate	80/77x60mm
Wheel Bolt Size	M10
Bushing Diameter	15mm
Weight	1.03kg
Wheel Bearing	roller bearing



CASTOR FPP35WC125M6N2R32



TD_FPP35WC125M6N2R32		
load capacity	200KG	