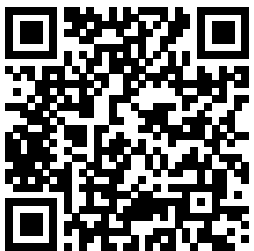


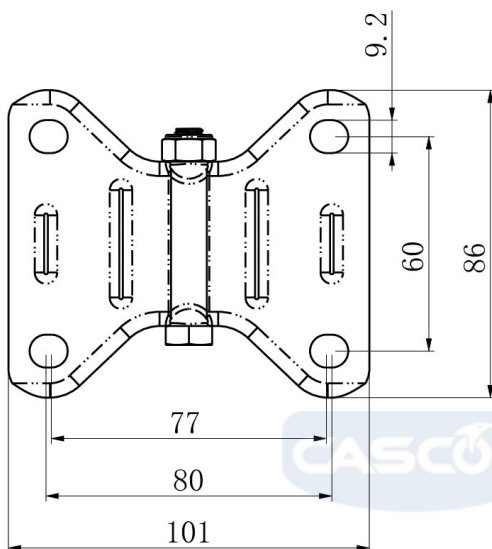
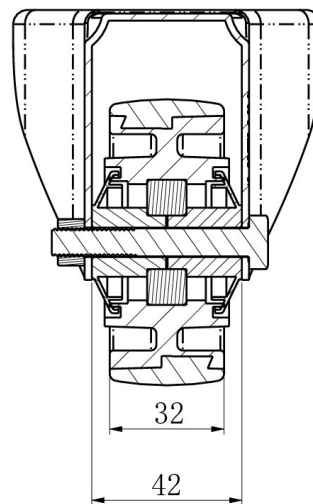
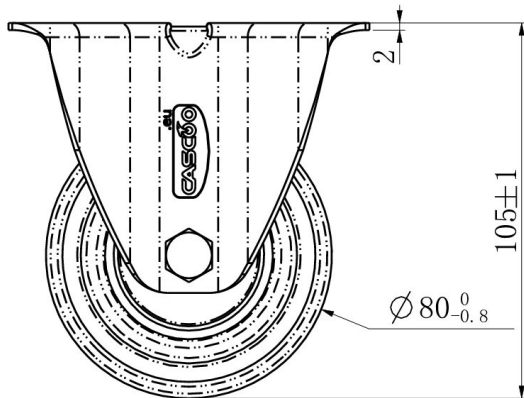
## CASTOR FPP22WC080N2U6B32



<b>Product SKU</b>	FPP22WC080N2U6B32
<b>Standard Compliance</b>	DIN EN 12532
<b>Series</b>	N2U6
<b>Fastening</b>	Plate fastening
<b>Brake and Direction</b>	fixed direction
<b>Material of the Wheel</b>	polyamide (PA) wheel center
<b>Tread</b>	polyurethane (PU) tread
<b>Temperature range</b>	-40°C to +80°C
<b>Wheel Diameter</b>	80mm
<b>Load Capacity</b>	130kg
<b>Total Height</b>	105mm
<b>Width of Tread</b>	32mm
<b>wheel hub Width</b>	40mm
<b>Dimension of Plate</b>	105x80mm
<b>Hole Spacing of the Plate</b>	80/77x60mm
<b>Wheel Bolt Size</b>	M8
<b>Bushing Diameter</b>	8mm
<b>Weight</b>	0.43kg
<b>Wheel Bearing</b>	ball bearing
<b>Rubber Shore</b>	95° Shore A



# CASTOR FPP22WC080N2U6B32



TD\_FPP22WC080N2U6B32

load  
capacity

130KG

