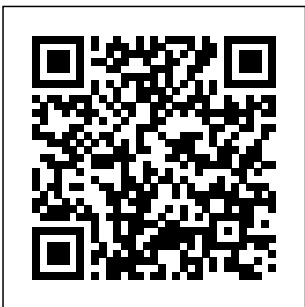


CASTOR FBP32WC125N2U6R1W

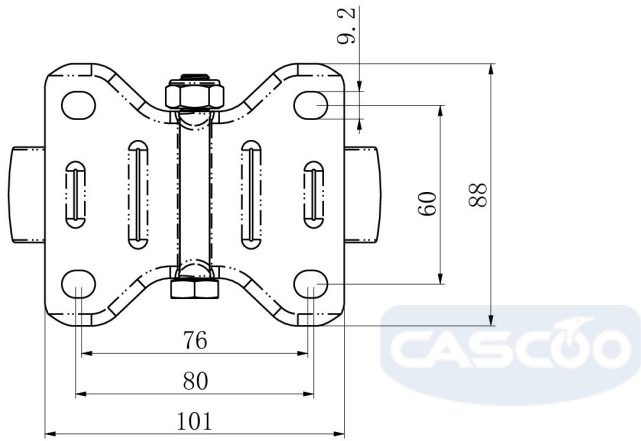
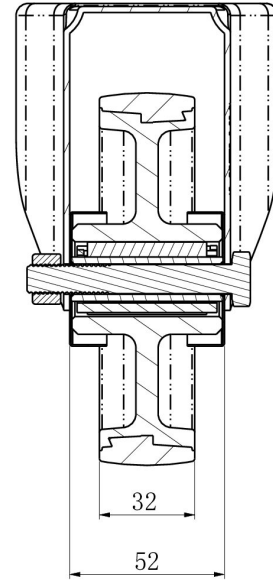
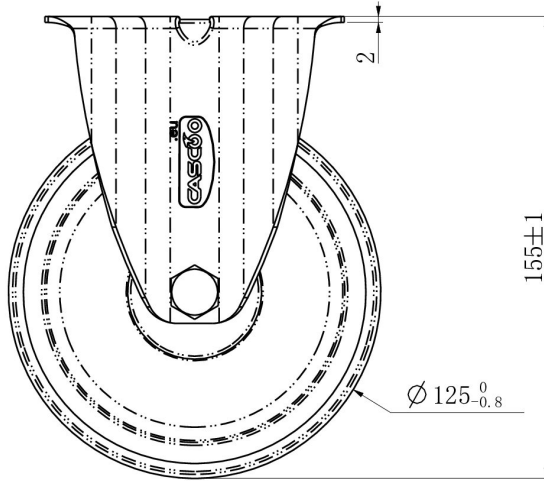


Product SKU	FBP32WC125N2U6R1W
Standard Compliance	DIN EN 12532
Series	N2U6
Fastening	Plate fastening
Brake and Direction	fixed direction
Material of the Wheel	polyamide (PA) wheel center
Tread	polyurethane (PU) tread
Temperature range	-40°C to +80°C
Wheel Diameter	125mm
Load Capacity	200kg
Total Hight	155mm
Width of Tread	32mm
wheel hub Width	50mm
Dimension of Plate	105x80mm
Hole Spacing of the Plate	80/77x60mm
Wheel Bolt Size	M10
Bushing Diameter	15mm
Weight	0.71kg
Wheel Bearing	roller bearing
Rubber Shore	95° Shore A





CASTOR FBP32WC125N2U6R1W



TD_FBP32WC125N2U6R1W		
load capacity	200KG	