

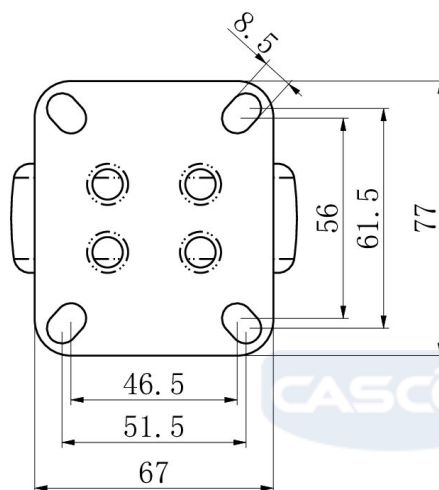
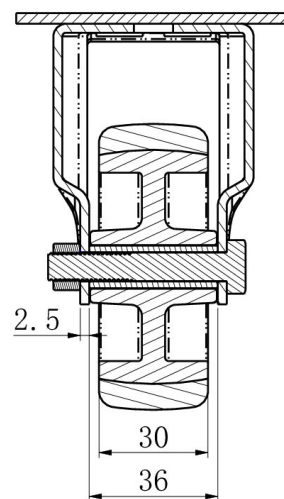
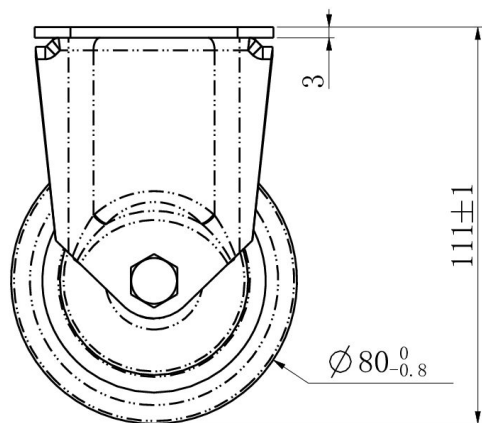
CASTOR FAPE5C0080P2T2P0N




Product SKU	FAPE5C0080P2T2P0N
Standard Compliance	DIN EN 12530
Series	P2T2
Fastening	Plate fastening
Brake and Direction	fixed direction
Material of the Wheel	polypropylene (PP) wheel center
Tread	thermoplastic rubber tread
Temperature range	-20°C to +60°C
Wheel Diameter	80mm
Load Capacity	80kg
Total Height	111mm
Width of Tread	32mm
wheel hub Width	36mm
Dimension of Plate	77x67mm
Hole Spacing of the Plate	61.5/56x51.5/46.5mm
Wheel Bolt Size	M8
Bushing Diameter	12mm
Weight	0.41kg
Wheel Bearing	plain bearing
Rubber Shore	95° Shore A



CASTOR FAPE5C0080P2T2P0N



TD_FAPE5C0080P2T2P0N		
load capacity	80KG	