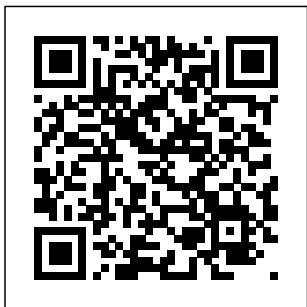


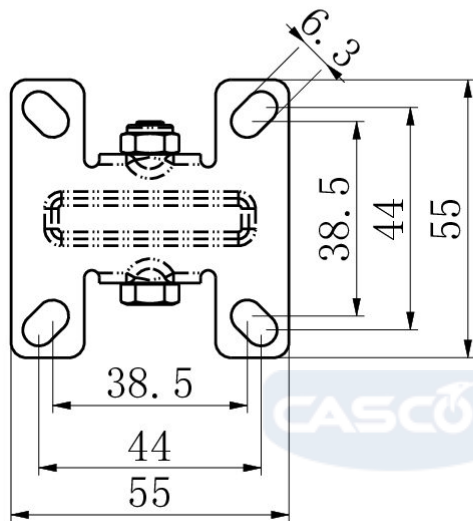
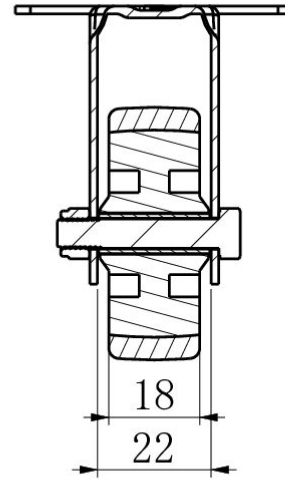
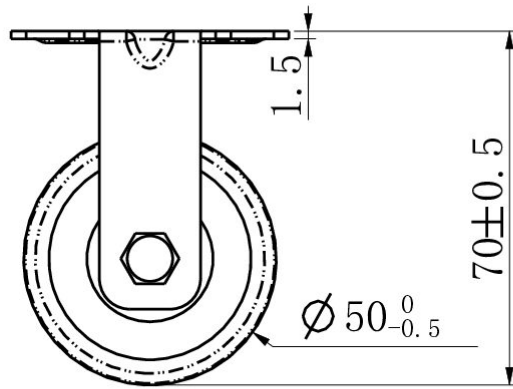
CASTOR FAPBCC0050P2T2P0N




Product SKU	FAPBCC0050P2T2P0N
Standard Compliance	DIN EN 12530
Series	P2T2
Fastening	Plate fastening
Brake and Direction	fixed direction
Material of the Wheel	polypropylene (PP) wheel center
Tread	thermoplastic rubber tread
Temperature range	-20°C to +60°C
Wheel Diameter	50mm
Load Capacity	50kg
Total Height	70mm
Width of Tread	19mm
wheel hub Width	22mm
Dimension of Plate	55x55mm
Hole Spacing of the Plate	44/38.5x44/38.5mm
Wheel Bolt Size	M6
Bushing Diameter	8mm
Weight	0.1kg
Wheel Bearing	plain bearing
Rubber Shore	95° Shore A



CASTOR FAPBCC0050P2T2P0N



TD_FAPBCC0050P2T2P0N		
load capacity	50KG	