

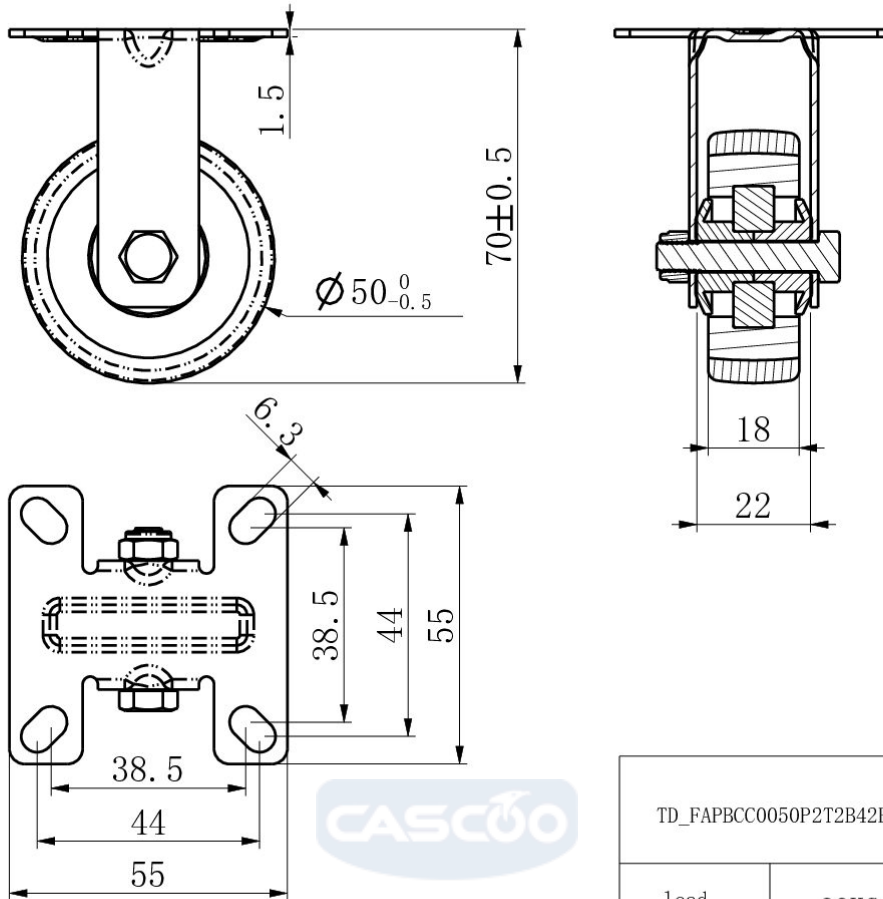
CASTOR FAPBCC0050P2T2B42E




| | |
|----------------------------------|---------------------------------|
| Product SKU | FAPBCC0050P2T2B42E |
| Standard Compliance | DIN EN 12530 |
| Series | P2T2 (ESD) |
| Fastening | Plate fastening |
| Brake and Direction | fixed direction |
| Material of the Wheel | polypropylene (PP) wheel center |
| Tread | thermoplastic rubber tread |
| Temperature range | -20°C to +60°C |
| Wheel Diameter | 50mm |
| Load Capacity | 30kg |
| Total Height | 70mm |
| Width of Tread | 19mm |
| wheel hub Width | 22mm |
| Dimension of Plate | 55x55mm |
| Hole Spacing of the Plate | 44/38.5x44/38.5mm |
| Wheel Bolt Size | M6 |
| Bushing Diameter | 6mm |
| Weight | 0.14kg |
| Wheel Bearing | ball bearing |
| Special Features | electrostatic (ESD) |



CASTOR FAPBCC0050P2T2B42E



| | | |
|-----------------------|------|---|
| TD_FAPBCC0050P2T2B42E | |  |
| load capacity | 30KG | |