

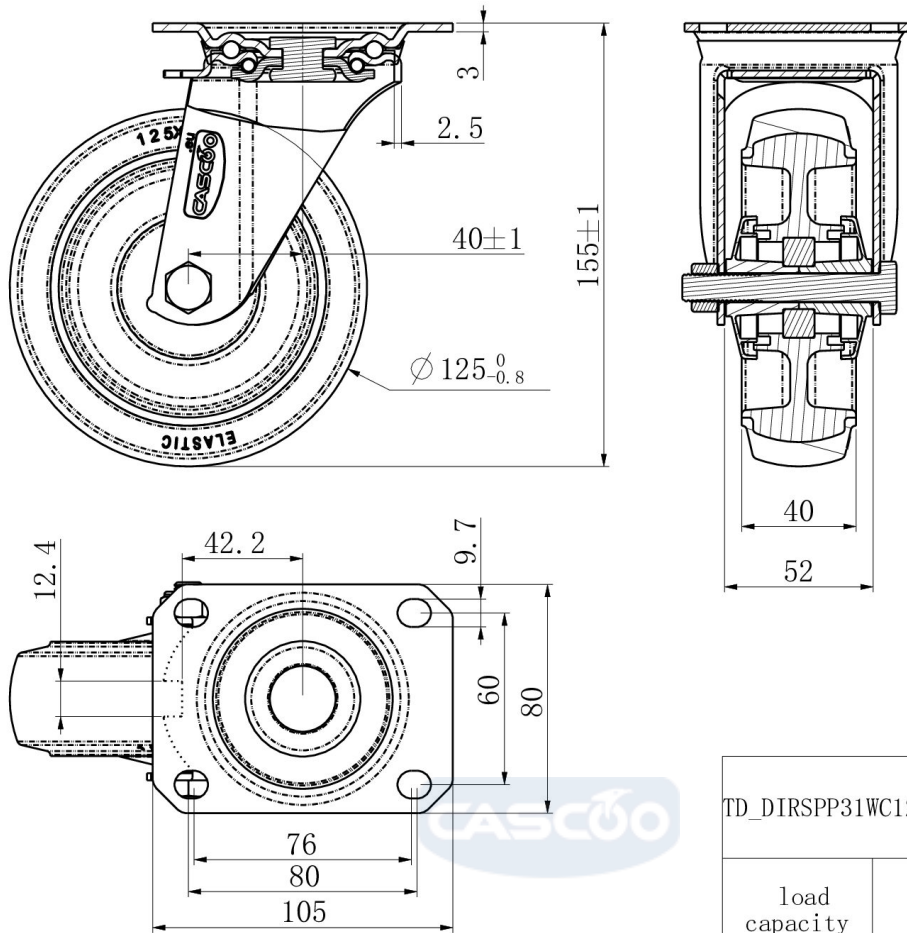
## CASTOR DIRSPP31WC125P2D2B32



<b>Product SKU</b>	DIRSPP31WC125P2D2B32
<b>Standard Compliance</b>	DIN EN 12532
<b>Series</b>	P2D2
<b>Fastening</b>	Plate fastening
<b>Brake and Direction</b>	directional lock
<b>Material of the Wheel</b>	polypropylene (PP) wheel center
<b>Tread</b>	thermoplastic rubber tread
<b>Temperature range</b>	-20°C to +60°C
<b>Wheel Diameter</b>	125mm
<b>Load Capacity</b>	165kg
<b>Total Height</b>	155mm
<b>Width of Tread</b>	40mm
<b>wheel hub Width</b>	52mm
<b>Offset</b>	40mm
<b>Dimension of Plate</b>	105x80mm
<b>Hole Spacing of the Plate</b>	80/77x60mm
<b>Wheel Bolt Size</b>	M10
<b>Bushing Diameter</b>	10mm
<b>Weight</b>	0.88kg
<b>Wheel Bearing</b>	ball bearing
<b>Rubber Shore</b>	70° Shore A



# CASTOR DIRSPP31WC125P2D2B32



TD\_DIRSPP31WC125P2D2B32

load capacity

165KG

