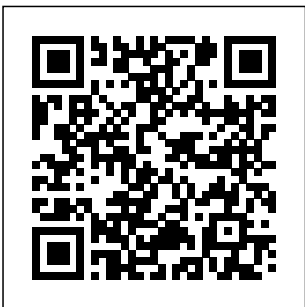


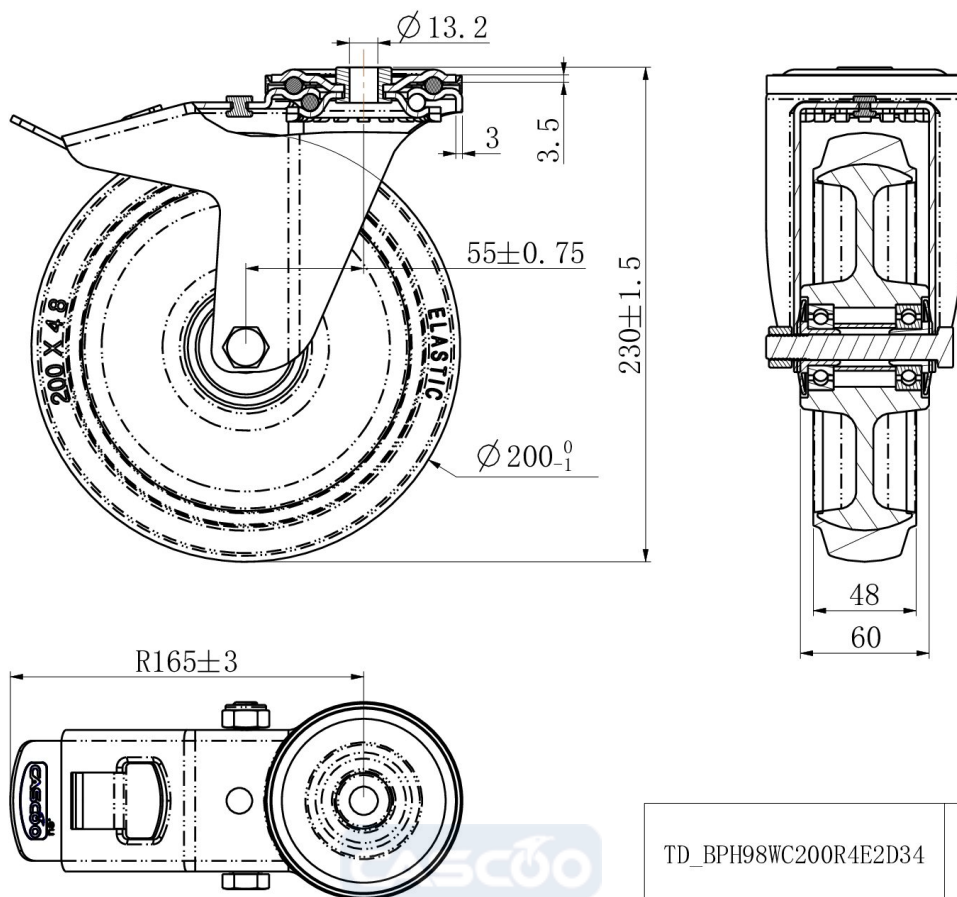
CASTOR BPH98WC200R4E2D34



Product SKU	BPH98WC200R4E2D34
Standard Compliance	DIN EN 12532
Series	R4E2
Fastening	Bolt fastening
Brake and Direction	back brake
Material of the Wheel	polyamide (PA) wheel center
Tread	elastic tread
Temperature range	-20°C to +80°C
Wheel Diameter	200mm
Load Capacity	250kg
Total Height	228mm
Width of Tread	46mm
wheel hub Width	59mm
Offset	55mm
Fastening Bolt Hole Diameter	13mm
Swivel Radius	165mm
Wheel Bolt Size	M12
Bushing Diameter	12mm
Weight	2.38kg
Wheel Bearing	double ball bearing
Rubber Shore	65° Shore A



CASTOR BPH98WC200R4E2D34



TD_BPH98WC200R4E2D34		
load capacity	250KG	