

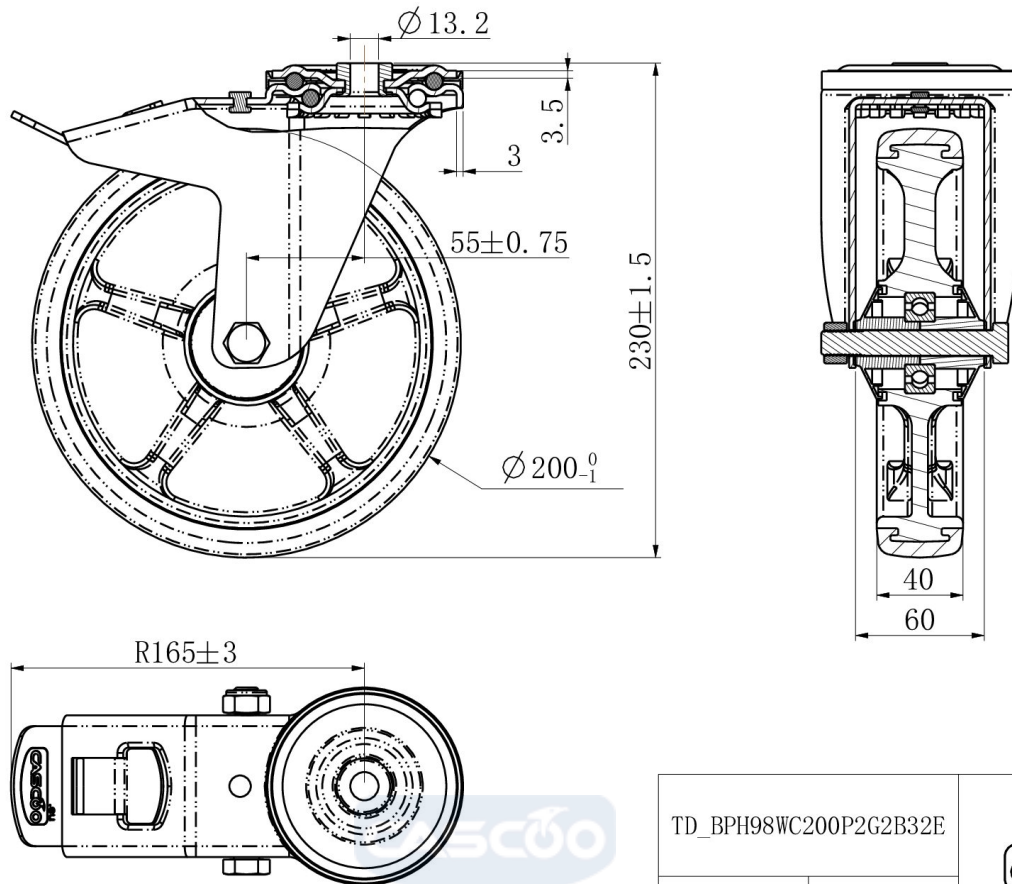
## CASTOR BPH98WC200P2G2B32E



<b>Product SKU</b>	BPH98WC200P2G2B32E
<b>Standard Compliance</b>	DIN EN 12532
<b>Series</b>	P2G2 (ESD)
<b>Fastening</b>	Bolt fastening
<b>Brake and Direction</b>	back brake
<b>Material of the Wheel</b>	polypropylene (PP) wheel center
<b>Tread</b>	thermoplastic rubber tread
<b>Temperature range</b>	-20°C to +60°C
<b>Wheel Diameter</b>	200mm
<b>Load Capacity</b>	175kg
<b>Total Height</b>	228mm
<b>Width of Tread</b>	40mm
<b>wheel hub Width</b>	59mm
<b>Offset</b>	55mm
<b>Fastening Bolt Hole Diameter</b>	13mm
<b>Swivel Radius</b>	165mm
<b>Wheel Bolt Size</b>	M12
<b>Bushing Diameter</b>	12mm
<b>Weight</b>	1.98kg
<b>Wheel Bearing</b>	ball bearing
<b>Special Features</b>	electrostatic (ESD)



# CASTOR BPH98WC200P2G2B32E



TD_BPH98WC200P2G2B32E		
load capacity	175KG	