

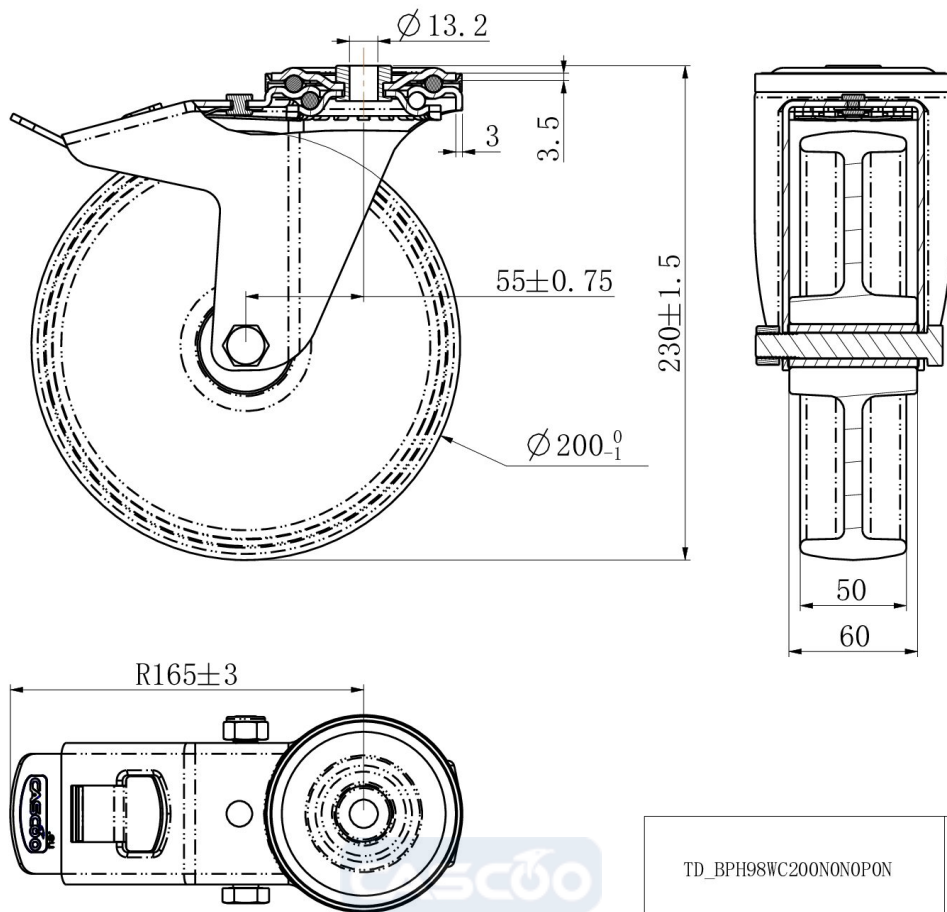
CASTOR BPH98WC200N0N0P0N



Product SKU	BPH98WC200N0N0P0N
Standard Compliance	DIN EN 12532
Series	N0N0
Fastening	Bolt fastening
Brake and Direction	back brake
Material of the Wheel	polyamide (PA) wheel center
Tread	polyamide (PA) tread
Temperature range	-40°C to +80°C
Wheel Diameter	200mm
Load Capacity	300kg
Total Height	228mm
Width of Tread	50mm
wheel hub Width	59mm
Offset	55mm
Fastening Bolt Hole Diameter	13mm
Swivel Radius	165mm
Wheel Bolt Size	M12
Bushing Diameter	20mm
Weight	1.97kg
Wheel Bearing	plain bearing



CASTOR BPH98WC200N0N0P0N



TD_BPH98WC200N0N0P0N		
load capacity	250KG	