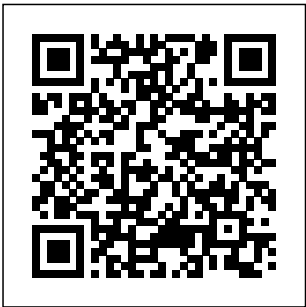


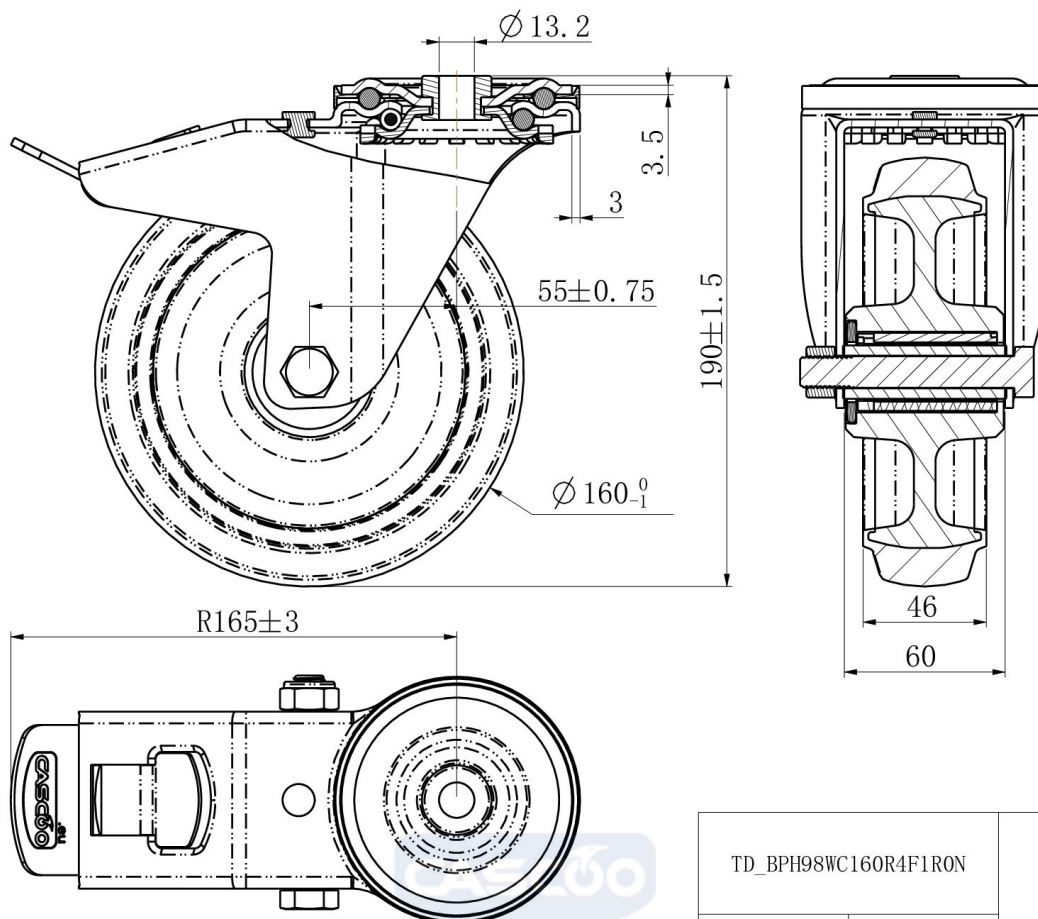
CASTOR BPH98WC160R4F1R0N



Product SKU	BPH98WC160R4F1R0N
Standard Compliance	DIN EN 12532
Series	R4F1
Fastening	Bolt fastening
Brake and Direction	back brake
Material of the Wheel	polyamide (PA) wheel center
Tread	elastic tread
Temperature range	-20°C to +80°C
Wheel Diameter	160mm
Load Capacity	200kg
Total Hight	189mm
Width of Tread	46mm
wheel hub Width	59mm
Offset	55mm
Fastening Bolt Hole Diameter	13mm
Swivel Radius	165mm
Wheel Bolt Size	M12
Bushing Diameter	20mm
Weight	2.06kg
Wheel Bearing	roller bearing
Rubber Shore	75° Shore A



CASTOR BPH98WC160R4F1R0N



TD_BPH98WC160R4F1R0N		
load capacity	250KG	