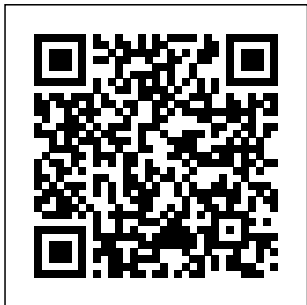


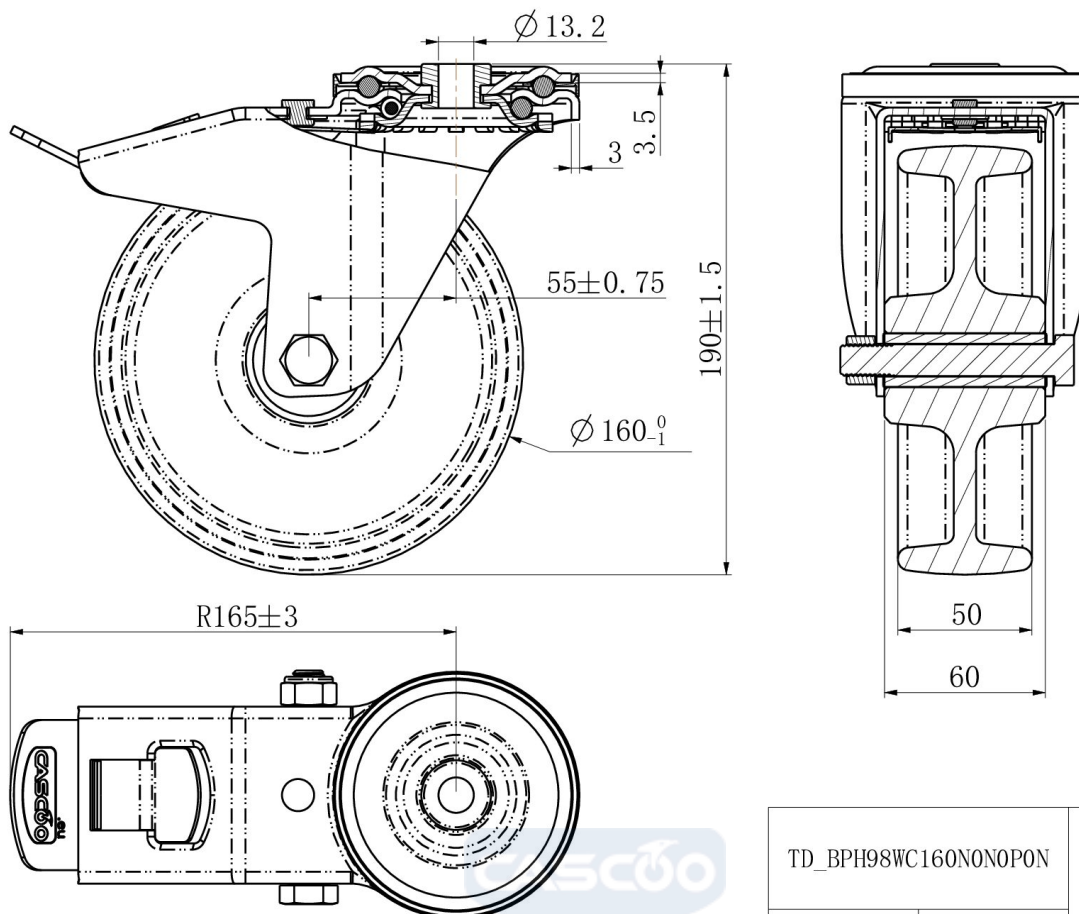
## CASTOR BPH98WC160N0N0P0N



<b>Product SKU</b>	BPH98WC160N0N0P0N
<b>Standard Compliance</b>	DIN EN 12532
<b>Series</b>	N0N0
<b>Fastening</b>	Bolt fastening
<b>Brake and Direction</b>	back brake
<b>Material of the Wheel</b>	polyamide (PA) wheel center
<b>Tread</b>	polyamide (PA) tread
<b>Temperature range</b>	-40°C to +80°C
<b>Wheel Diameter</b>	160mm
<b>Load Capacity</b>	300kg
<b>Total Height</b>	189mm
<b>Width of Tread</b>	50mm
<b>wheel hub Width</b>	59mm
<b>Offset</b>	55mm
<b>Fastening Bolt Hole Diameter</b>	13mm
<b>Swivel Radius</b>	165mm
<b>Wheel Bolt Size</b>	M12
<b>Bushing Diameter</b>	20mm
<b>Weight</b>	1.82kg
<b>Wheel Bearing</b>	plain bearing



# CASTOR BPH98WC160N0N0P0N



TD_BPH98WC160N0N0P0N		
load capacity	250KG	