

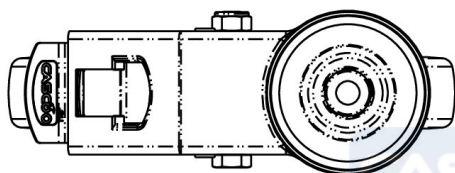
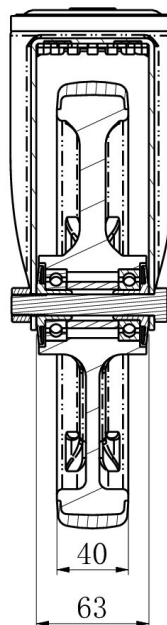
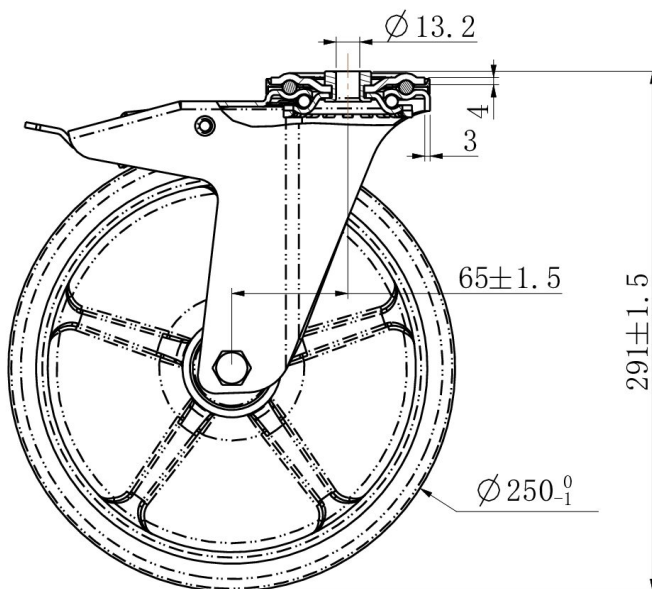
CASTOR BPH97WC250P2G2D32



Product SKU	BPH97WC250P2G2D32
Standard Compliance	DIN EN 12532
Series	P2G2
Fastening	Bolt fastening
Brake and Direction	back brake
Material of the Wheel	polypropylene (PP) wheel center
Tread	thermoplastic rubber tread
Temperature range	-20°C to +60°C
Wheel Diameter	250mm
Load Capacity	300kg
Total Height	288mm
Width of Tread	40mm
wheel hub Width	59mm
Offset	65mm
Fastening Bolt Hole Diameter	13mm
Swivel Radius	180mm
Wheel Bolt Size	M12
Bushing Diameter	12mm
Wheel Bearing	double ball bearing
Rubber Shore	70° Shore A



CASTOR BPH97WC250P2G2D32



TD_BPH97WC250P2G2D32

load capacity

300KG

