

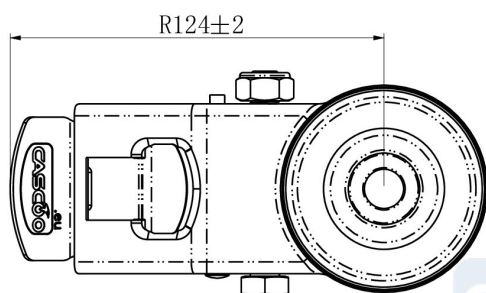
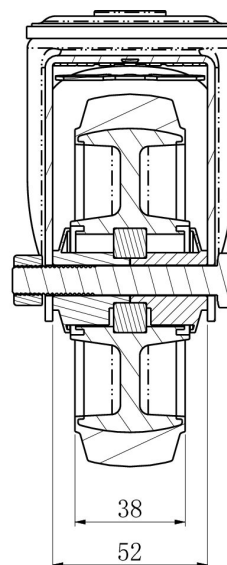
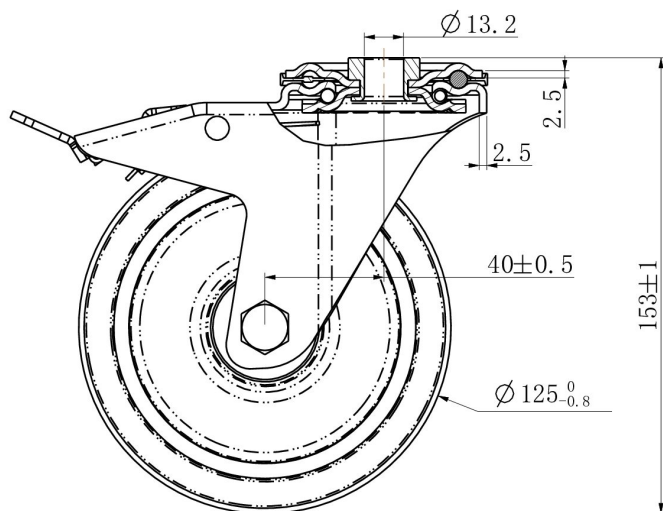
## CASTOR BPH85WC125R4E2B34




|                                     |                             |
|-------------------------------------|-----------------------------|
| <b>Product SKU</b>                  | BPH85WC125R4E2B34           |
| <b>Standard Compliance</b>          | DIN EN 12532                |
| <b>Series</b>                       | R4E2                        |
| <b>Fastening</b>                    | Bolt fastening              |
| <b>Brake and Direction</b>          | back brake                  |
| <b>Material of the Wheel</b>        | polyamide (PA) wheel center |
| <b>Tread</b>                        | elastic tread               |
| <b>Temperature range</b>            | -20°C to +80°C              |
| <b>Wheel Diameter</b>               | 125mm                       |
| <b>Load Capacity</b>                | 160kg                       |
| <b>Total Height</b>                 | 154mm                       |
| <b>Width of Tread</b>               | 38mm                        |
| <b>wheel hub Width</b>              | 50mm                        |
| <b>Offset</b>                       | 45mm                        |
| <b>Fastening Bolt Hole Diameter</b> | 13mm                        |
| <b>Swivel Radius</b>                | 127mm                       |
| <b>Wheel Bolt Size</b>              | M10                         |
| <b>Bushing Diameter</b>             | 10mm                        |
| <b>Weight</b>                       | 0.96kg                      |
| <b>Wheel Bearing</b>                | ball bearing                |
| <b>Rubber Shore</b>                 | 65° Shore A                 |



# CASTOR BPH85WC125R4E2B34



|                      |       |                                                                                       |
|----------------------|-------|---------------------------------------------------------------------------------------|
| TD_BPH85WC125R4E2B34 |       |  |
| load capacity        | 150KG |                                                                                       |